



## **Hybrid and Electric Portfolio Evolution: BorgWarner at Vienna Motor Symposium**

- *The company presents lineup of its electrification technologies*
- *Expert lecture on technologies for improving fuel efficiency on Friday, May 17, 2019*
- *BorgWarner provides customers with solutions for the mobility of today and tomorrow*

Auburn Hills, Michigan, May 14, 2019 – At this year’s International Vienna Motor Symposium in Vienna, Austria, BorgWarner’s presence will focus on the current electrification trend by showcasing its broad portfolio, expertise and dedication to cleaner mobility. In celebration of the show’s 40<sup>th</sup> anniversary, the Hofburg Congress Center will open its doors a day earlier than usual. From May 15-17, 2019, BorgWarner will present its advanced solutions for hybrid and electric vehicles including its integrated drive module (iDM) and the new Onboard Battery Charger (OBC). Additionally, the company will display its 48V solutions such as P2 hybrid modules, the eBooster<sup>®</sup> electrically driven compressor and the eTurbo<sup>™</sup> electrically assisted turbocharger. On Friday, May 17, from 10:45-11:15 a.m., there also will be an expert lecture, in cooperation with Hyundai, on a study of technologies for improving the fuel efficiency of turbocharged gasoline engines.

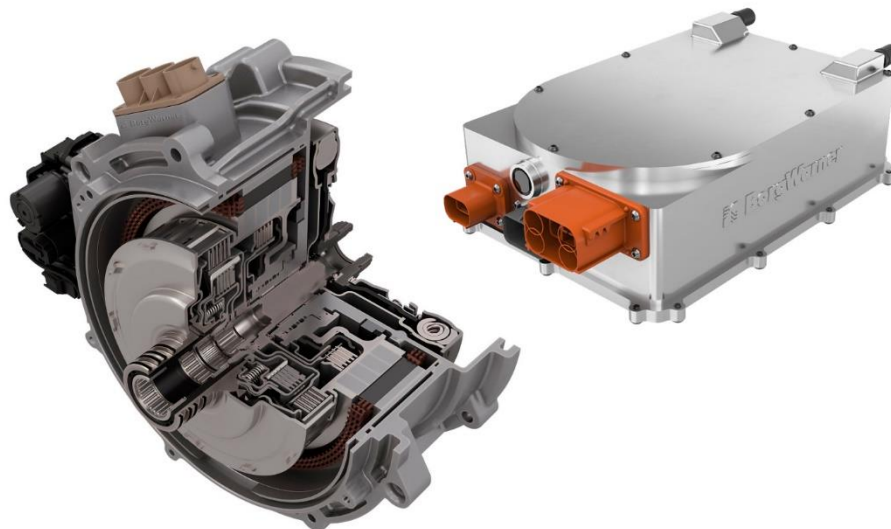
“The annual Vienna Motor Symposium brings together more than a 1,000 leading decision makers from the most important companies in the global automotive industry, making it an excellent platform for showcasing our solutions for electrified mobility,” said Scott Gallett, Vice President, Marketing, Public Relations and Government Affairs, BorgWarner. “Our advanced technologies for hybrid and electric vehicles are key enablers for a clean and energy-efficient world. Our wide range of expertise in developing electrification solutions enables us to support our customer’s current and future vehicles in the best possible way.”

BorgWarner will display key technologies for highly efficient electrification in Vienna. One example is the new Onboard Battery Charger (OBC) which is a key enabler to implement electric driving in everyday life. Due to its wide-ranging applicability, it can be installed in hybrid and electric vehicles to convert alternating current (AC) to direct current (DC). Another important

example is the iDM, a fully integrated electric drive module that combines specially developed power electronics, an electric motor and transmission technology. This modular solution offers customers exceptional flexibility, as does the company's P2 on-axis hybrid module. In the advanced 48V solution, the motor is directly integrated into the drive shaft and allows vehicle manufacturers to convert combustion-powered vehicles into hybrid vehicles without having to change the transmission or the engine. Another of BorgWarner's 48V solutions on display will be the eBooster system. This technology offers an extraordinary power density, a high system efficiency and an improved acceleration time, which virtually eliminates turbo lag. The other turbocharging solutions which visitors will be able to see include the company's eTurbo, which improves fuel economy by converting wasted exhaust energy to electrical energy.

### **About BorgWarner**

BorgWarner Inc. (NYSE: BWA) is a global product leader in clean and efficient technology solutions for combustion, hybrid and electric vehicles. With manufacturing and technical facilities in 68 locations in 19 countries, the company employs approximately 30,000 worldwide. For more information, please visit [borgwarner.com](http://borgwarner.com).



BorgWarner presents its electrification technologies at Vienna Motor Symposium, such as the P2 hybrid module (left) and the Onboard Battery Charger (right).

BorgWarner Inc. (Hybrid and Electric Portfolio Evolution: BorgWarner at Vienna Motor Symposium\_EU) – 3

Statements in this press release may contain forward-looking statements as contemplated by the 1995 Private Securities Litigation Reform Act that are based on management's current outlook, expectations, estimates and projections. Words such as "anticipates," "believes," "continues," "could," "designed," "effect," "estimates," "evaluates," "expects," "forecasts," "goal," "initiative," "intends," "outlook," "plans," "potential," "project," "pursue," "seek," "should," "target," "when," "would," variations of such words and similar expressions are intended to identify such forward-looking statements. Forward-looking statements are subject to risks and uncertainties, many of which are difficult to predict and generally beyond our control, that could cause actual results to differ materially from those expressed, projected or implied in or by the forward-looking statements. These risks and uncertainties, among others, include: our dependence on automotive and truck production, both of which are highly cyclical; our reliance on major OEM customers; commodities availability and pricing; supply disruptions; fluctuations in interest rates and foreign currency exchange rates; availability of credit; our dependence on key management; our dependence on information systems; the uncertainty of the global economic environment; the outcome of existing or any future legal proceedings, including litigation with respect to various claims; and future changes in laws and regulations, including by way of example, tariffs, in the countries in which we operate, as well as other risks noted in reports that we file with the Securities and Exchange Commission, including the Risk Factors identified in our most recently filed Annual Report on Form 10-K/A. We do not undertake any obligation to update or announce publicly any updates to or revision to any of the forward-looking statements.

**PR contact:**

Christoph Helfenbein

Phone: +49 7141-132-753

Email: [mediacontact.eu@borgwarner.com](mailto:mediacontact.eu@borgwarner.com)