



DELFOR Delivery schedule message

EDIFACT/D99B/DELFOR: DELFOR Delivery schedule message

Version: 5.0 Final

Publication:	5/20/2019
Created:	11/18/2015
Modified:	5/20/2019

Table of Contents

DELFOR	Delivery schedule message	1
	Branching Diagram - 1	4
	Branching Diagram - 2	5
	Branching Diagram - 3	6
UNB	INTERCHANGE HEADER	7
UNH	MESSAGE HEADER	9
BGM	BEGINNING OF MESSAGE	11
DTM	DATE/TIME/PERIOD	12
NAD	NAME AND ADDRESS	13
GIS	GENERAL INDICATOR	15
NAD	NAME AND ADDRESS	16
LOC	PLACE/LOCATION IDENTIFICATION	18
LIN	LINE ITEM	19
IMD	ITEM DESCRIPTION	20
DTM	DATE/TIME/PERIOD	21
RFF	REFERENCE	22
DTM	DATE/TIME/PERIOD	23
QTY	QUANTITY	24
RFF	REFERENCE	26
DTM	DATE/TIME/PERIOD	27
SCC	SCHEDULING CONDITIONS	28
QTY	QUANTITY	29
DTM	DATE/TIME/PERIOD	30
UNT	MESSAGE TRAILER	31
UNZ	INTERCHANGE TRAILER	33

DELFOR Delivery schedule message

Message Status=3

Definition: WARNING! This version of the DELFOR is not upward compatible with versions prior to D96B. DELFOR is a message which is sent from a party who is planning the use or consumption of products to a party who has to plan for the supply of the products. The message gives the requirements regarding details for short term delivery and/or medium to long scheduling for products. The scheduling can be used to authorize manufacturing and or the provision of materials. This is based on the terms and conditions defined in a purchase order or contract. The message may also be sent in response by a party which has received a DELFOR message to indicate to the party which has issued the message, the acceptance of, rejection of, or to propose amendments to the previous message.

Not Defined:

<u>Pos</u>	<u>Tag</u>	<u>Segment Name</u>	<u>Status</u>	<u>Rep</u>	<u>Notes</u>	<u>Usage</u>
	UNB	INTERCHANGE HEADER	M	1		Must use
0010	UNH	MESSAGE HEADER	M	1	N0/0010	Must use
0020	BGM	BEGINNING OF MESSAGE	M	1	N0/0020	Must use
0030	DTM	DATE/TIME/PERIOD	M	10	N0/0030	Must use
0080		Segment Group 2	C	99	N0/0080	Used
0090	NAD	NAME AND ADDRESS	M	1	N0/0090	Must use
0190		Segment Group 6	C	9999	N0/0190	Used
0200	GIS	GENERAL INDICATOR	M	1	N0/0200	Must use
0210		Segment Group 7	C	1	N0/0210	Used
0220	NAD	NAME AND ADDRESS	M	1	N0/0220	Must use
0230	LOC	PLACE/LOCATION IDENTIFICATION	C	10	N0/0230	Used
0370		Segment Group 12	C	9999	N0/0370	Used
0380	LIN	LINE ITEM	C	1	N0/0380	Must use
0400	IMD	ITEM DESCRIPTION	C	10	N0/0400	Used
0460	DTM	DATE/TIME/PERIOD	C	5	N0/0460	Used
0480		Segment Group 13	C	10	N0/0480	Used
0490	RFF	REFERENCE	M	1	N0/0490	Must use
0500	DTM	DATE/TIME/PERIOD	C	1	N0/0500	Used
0550		Segment Group 15	C	99	N0/0550	Used
0560	QTY	QUANTITY	M	1	N0/0560	Must use
0580		Segment Group 16	C	10	N0/0580	Used
0590	RFF	REFERENCE	M	1	N0/0590	Must use
0600	DTM	DATE/TIME/PERIOD	C	1	N0/0600	Used
0610		Segment Group 17	C	999	N0/0610	Used
0620	SCC	SCHEDULING CONDITIONS	M	1	N0/0620	Must use
0630		Segment Group 18	C	999	N0/0630	Used
0640	QTY	QUANTITY	M	1	N0/0640	Must use
0650	DTM	DATE/TIME/PERIOD	C	2	N0/0650	Used
1040	UNT	MESSAGE TRAILER	M	1	N0/1040	Must use
	UNZ	INTERCHANGE TRAILER	M	1		Must use

Clarification:

- 0/0010 A service segment starting and uniquely identifying a message. The message type code for the Delivery schedule message is DELFOR. Note: Delivery schedule messages conforming to this document must contain the following data in segment UNH, composite S009: Data element 0065 DELFOR 0052 D 0054 99B 0051 UN
- 0/0020 A segment for unique identification of the Delivery schedule message by means of its name and its number and its function (original, replacement, change).
- 0/0030 The DTM segment shall be specified at least once to identify the Delivery schedule message date. This segment can be included to indicate the beginning and the end date of the schedule.
- 0/0080 A group of segments identifying parties by their names, addresses, locations, references and contacts relevant to the whole delivery schedule.
- 0/0090 A segment for identifying names and addresses and their functions relevant for the whole Delivery schedule. The principal parties for the Delivery schedule message shall be identified. The identification of the recipient of the goods must be given in the NAD segment in the detail section. It is recommended that where possible only the coded form of the party ID should be specified.
- 0/0190 A group of segments providing details on delivery points and products and related information using one of both scheduling methods (as described in 1.3 Principles).
- 0/0200 A segment to indicate which method is used by the relevant processing indicator code.
- 0/0210 A group of segments needed to identify a delivery point and its attached information when the delivery point method is used.
- 0/0220 A segment for identifying the consignee.
- 0/0230 A segment identifying a specific location at the consignee address (e.g. dock, gate,...) to which product, as specified in the LIN-Segment groups, should be delivered.
- 0/0370 A group of segments providing details of the individual line items for both methods.
- 0/0380 A segment identifying the details of the product or service to be delivered, e.g. product identification. All other segments in the detail section following the LIN segment refer to the line item.
- 0/0400 A segment for describing the product or the service to be delivered. This segment should be used for products that cannot be identified by a product code or article number.
- 0/0460 Date/time/period associated with the line item, such as the date of the engineering change.
- 0/0480 A group of segments giving references related to the line item and where necessary, their dates.
- 0/0490 A segment for identifying references to the line item, e.g. a contract and its appropriate line item, original message number, previous message number if different per line item.
- 0/0500 Date/time/period of the reference.
- 0/0550 A group of segments specifying product quantities and associated dates not related to schedules and where relevant, references.
- 0/0560 A segment to specify pertinent quantities not related to schedule(s) e.g. cumulative quantity, last quantity considered.
- 0/0580 A group of segments giving references related to the quantity and where necessary, their date.
- 0/0590 A segment for identifying reference to the quantity, e.g. despatch advice number.
- 0/0600 Date/time/period of the reference.
- 0/0610 A group of segments specifying the schedule information for the product identified in the LIN segment. With the delivery point driven method this segment group provides the schedule for the identified delivery point and product. With the product driven method this segment group can be used to summarise all schedules provided with the subsequent delivery point information given in segment group 22.
- 0/0620 A segment specifying the status of the schedule. Optionally a delivery pattern can be established, e.g. firm or proposed delivery pattern.
- 0/0630 A group of segments specifying product quantities and associated dates.
- 0/0640 A segment to specify pertinent quantities which may relate to schedule(s) and, or pattern established in the SCC segment, e.g. delivery quantity for a specified date.
- 0/0650 A segment indicating date/time/period details relating to the given quantity.
- 0/1040 A service segment ending a message, giving the total number of segments in the message (including the UNH & UNT) and the control reference number of the message.

BorgWarner Note:

Change Log:**2019-05-20 Pauline Flanigan Version 5 Ready for Publication**

1. Add Envelope to guideline (Pages 7-10)
2. Add Group 12 DTM+164 End of Production Go Ahead (Page 21)
3. Add Group 12 DTM+206 End of Material Go Ahead (Page 21)
4. Change Group 15 QTY+70 add UOM (Page 24)
5. Add Group 15 QTY+71 Cumulative Quantity Ordered (Page 24)
6. Add last three deliveries instead of one. The three deliveries will be in the following format. (notes on page 24)

Group 15 (1)

QTY+12 added UOM

Group 15 (2)

QTY+48 added UOM

Group 16 (3) under last group 15 for this delivery

RFF+AAK

DTM+171

7. Update UOM Group 18 QTY+113 changed logic to map the UOM agreed in the contract instead of hardcoding PCE. (Page 29)

8. Updated sample data (Page 31)

2016-09-22 Pauline Flanigan Version 4 Ready for Publication

1. Clean up notes and sample data

2016-09-13 Pauline Flanigan Version 3 Ready for Publication

1. Group 2 SU and BY

- C080:3036 Party name added
- C059:3042 Street and number/p.o. box added
- 3164 City name added
- 3251 Postal identification code added
- 3207 Country name code added

2. Group 17 SCC

- C329: 2013 Frequency, Coded added

2016-08-18 Pauline Flanigan Version 2 Ready for Publication

1. Group 7 NAD CN

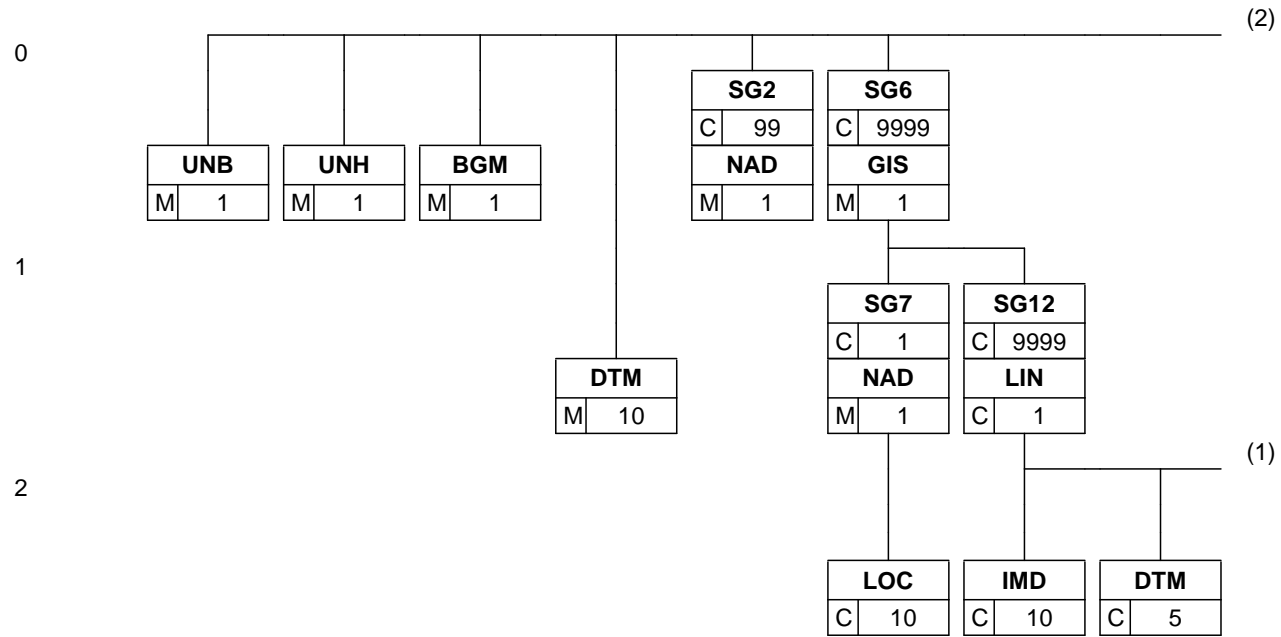
- C080:3036 Party name added
- C059:3042 Street and number/p.o. box added
- 3164 City name added
- 3251 Postal identification code added
- 3207 Country name code added

2. Group 7 for NAD CN, LOC 11 is new

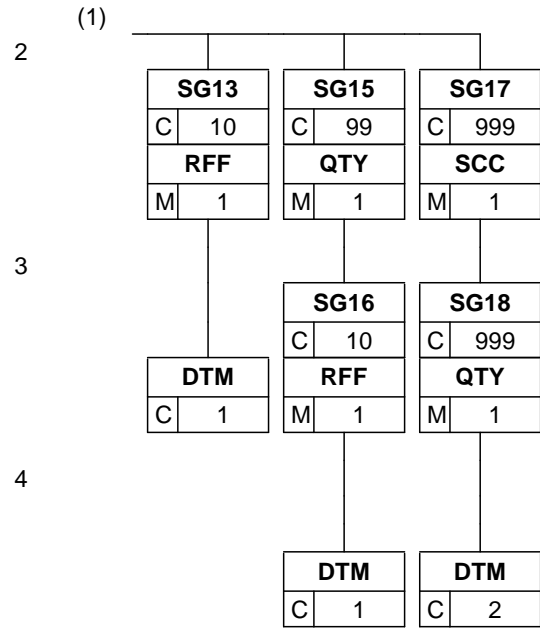
- 3227 LOCATION FUNCTION CODE QUALIFIER added
- 3225 LOCATION IDENTIFICATION added

2015-12-09 Pauline Flanigan Final Version Ready for Publication

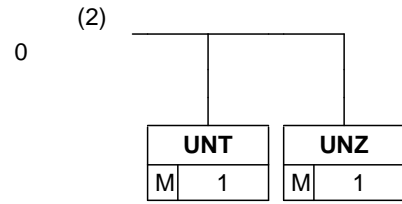
Branching Diagram: DELFOR(Delivery schedule message)



Branching Diagram: DELFOR(Delivery schedule message)



Branching Diagram: DELFOR(Delivery schedule message)



UNB INTERCHANGE HEADER

Pos:	Max: 1
Mandatory	
Group: N/A	Elements: 5

User Option (Usage): Must use

Function: To identify an interchange. S001/0002, shall be '4' to indicate this version of the syntax.

Element Summary:

<u>Ref</u>	<u>Tag</u>	<u>Element Name</u>	<u>Status</u>	<u>Type</u>	<u>Min/Max</u>	<u>Usage</u>
UNB010	S001	SYNTAX IDENTIFIER	M	Comp		Must use
		Description: S001 Identification of the agency controlling the syntax, the syntax level and version number, and the service code directory.				
UNB010-010	0001	Syntax identifier	M	a	4/4	Must use
		Description: Coded identification of the agency controlling the syntax, and of the character repertoire used in an interchange.				
		Code List Summary (Total Codes: 15, Included: 1)				
		<u>Code</u>	<u>Name</u>			
		UNOC	UN/ECE level C			
		Description: <i>As defined in ISO/IEC 8859-1 : Information technology - Part 1: Latin alphabet No. 1.</i>				
UNB010-020	0002	Syntax version number	M	an	1/1	Must use
		Description: Version number of the syntax.				
		Code List Summary (Total Codes: 4, Included: 1)				
		<u>Code</u>	<u>Name</u>			
		3	Version 3			
		Description: <i>ISO 9735 Amendment 1:1992.</i>				
UNB020	S002	INTERCHANGE SENDER	M	Comp		Must use
UNB020-010	0004	Interchange sender identification	M	an	1/35	Must use
		Description: Name or coded identification of the sender of the interchange.				
UNB020-020	0007	Identification code qualifier	C	an	1/4	Used
		Description: Qualifier referring to the identification code.				
UNB030	S003	INTERCHANGE RECIPIENT	M	Comp		Must use
UNB030-010	0010	Interchange recipient identification	M	an	1/35	Must use
		Description: Name or coded identification of the recipient of the interchange.				

<u>Ref</u>	<u>Tag</u>	<u>Element Name</u>	<u>Status</u>	<u>Type</u>	<u>Min/Max</u>	<u>Usage</u>
UNB030-020	0007	Identification code qualifier Description: Qualifier referring to the identification code.	C	an	1/4	Used
UNB040	S004	DATE AND TIME OF PREPARATION	M	Comp		Must use
UNB040-010	0017	Date Description: Local date when an interchange or a group was prepared.	M	n	8/8	Must use
UNB040-020	0019	Time Description: Local time of day when an interchange or a group was prepared.	M	n	4/4	Must use
UNB050	0020	Interchange control reference Description: Unique reference assigned by the sender to an interchange.	M	an	1/14	Must use

Notes:

1. S001/0002, shall be '4' to indicate this version of the syntax. The combination of the values carried in data elements S002, S003 and 0020 shall be used to identify uniquely the interchange, for the purpose of acknowledgement.

UNH MESSAGE HEADER

Pos: 0010	Max: 1
Mandatory	
Group: N/A	Elements: 2

User Option (Usage): Must use

Function: To head, identify and specify a message.

Element Summary:

<u>Ref</u>	<u>Tag</u>	<u>Element Name</u>	<u>Status</u>	<u>Type</u>	<u>Min/Max</u>	<u>Usage</u>
UNH010	0062	Message reference number	M	an	1/14	Must use
		Description: Unique message reference assigned by the sender.				
UNH020	S009	MESSAGE IDENTIFIER	M	Comp		Must use
		Description: Identification of the type, version, etc. of the message being interchanged.				
UNH020-010	0065	Message type	M	an	1/6	Must use
		Description: Code identifying a type of message and assigned by its controlling agency.				
		Code List Summary (Total Codes: 180, Included: 1)				
		<u>Code</u>	<u>Name</u>			
		DELFOR	Delivery schedule message			
		Description: A code to identify the delivery schedule message.				
UNH020-020	0052	Message version number	M	an	1/3	Must use
		Description: Version number of a message type.				
		Code List Summary (Total Codes: 8, Included: 1)				
		<u>Code</u>	<u>Name</u>			
		D	Draft version/UN/EDIFACT Directory			
		Description: Message approved and issued as a draft message (Valid for directories published after March 1993 and prior to March 1997). Message approved as a standard message (Valid for directories published after March 1997).				
UNH020-030	0054	Message release number	M	an	1/3	Must use
		Description: Release number within the current message version number.				
		Code List Summary (Total Codes: 20, Included: 1)				
		<u>Code</u>	<u>Name</u>			
		99B	Release 1999 - B			
		Description: Message approved and issued in the second 1999 release of the UNTDID (United Nations Trade Data Interchange Directory).				
UNH020-040	0051	Controlling agency, coded	M	an	1/3	Must use
		Description: Code identifying a				

<u>Ref</u>	<u>Tag</u>	<u>Element Name</u>	<u>Status</u>	<u>Type</u>	<u>Min/Max</u>	<u>Usage</u>
		controlling agency.				
		Code List Summary (Total Codes: 25, Included: 1)				
		<u>Code</u>		<u>Name</u>		
		UN		UN/CEFACT		
		Description: <i>United Nations Economic UN Economic Commission for Europe (UN/ECE), Committee on the development of trade (TRADE), Working Party on facilitation of international trade procedures (WP.4).</i>				

Notes:

1. Data element S009/0057 is retained for upward compatibility. The use of S016 and/or S017 is encouraged in preference.
2. The combination of the values carried in data elements 0062 and S009 shall be used to identify uniquely the message within its group (if used) or if not used, within its interchange, for the purpose of acknowledgement.

BGM BEGINNING OF MESSAGE

Pos: 0020	Max: 1
Mandatory	
Group: N/A	Elements: 2

User Option (Usage): Must use

Function: To indicate the type and function of a message and to transmit the identifying number.

Element Summary:

<u>Ref</u>	<u>Tag</u>	<u>Element Name</u>	<u>Status</u>	<u>Type</u>	<u>Min/Max</u>	<u>Usage</u>
BGM010	C002	DOCUMENT/MESSAGE NAME	C	Comp		Used
		Description: Identification of a type of document/message by code or name. Code preferred.				
BGM010-010	1001	Document name code	C	an	1/3	Used
		Description: Code specifying the document name.				
		Code List Summary (Total Codes: 549, Included: 1)				
		<u>Code</u>		<u>Name</u>		
		241		Delivery schedule		
		Description: <i>Usage of DELFOR-message.</i>				
BGM020	C106	DOCUMENT/MESSAGE IDENTIFICATION	C	Comp		Used
		Description: Identification of a document/message by its number and eventually its version or revision.				
BGM020-010	1004	Document/message number	C	an	1/35	Used
		Description: Reference number assigned to the document/message by the issuer.				

DTM DATE/TIME/PERIOD

Pos: 0030	Max: 10
Mandatory	
Group: N/A	Elements: 1

User Option (Usage): Must use

Function: To specify date, and/or time, or period.

Element Summary:

<u>Ref</u>	<u>Tag</u>	<u>Element Name</u>	<u>Status</u>	<u>Type</u>	<u>Min/Max</u>	<u>Usage</u>
DTM010	C507	DATE/TIME/PERIOD	M	Comp		Must use
		Description: Date and/or time, or period relevant to the specified date/time/period type.				
DTM010-010	2005	Date/time/period function code qualifier	M	an	1/3	Must use
		Description: Code giving specific meaning to a date, time or period.				
		Code List Summary (Total Codes: 697, Included: 1)				
		<u>Code</u>	<u>Name</u>			
		137	Document/message date/time			
		Description: (2006) Date/time when a document/message is issued. This may include authentication.				
DTM010-020	2380	Date/time/period value	C	an	1/35	Used
		Description: The value of a date, a date and time, a time or of a period in a specified representation.				
DTM010-030	2379	Date/time/period format code	C	an	1/3	Used
		Description: Code specifying the representation of a date, time or period.				
		Code List Summary (Total Codes: 74, Included: 1)				
		<u>Code</u>	<u>Name</u>			
		102	CCYYMMDD			
		Description: Calendar date: C = Century ; Y = Year ; M = Month ; D = Day.				

NAD NAME AND ADDRESS

Pos: 0090	Max: 1
Mandatory	
Group: 2	Elements: 7

User Option (Usage): Must use

Function: To specify the name/address and their related function, either by C082 only and/or unstructured by C058 or structured by C080 thru 3207.

Element Summary:

<u>Ref</u>	<u>Tag</u>	<u>Element Name</u>	<u>Status</u>	<u>Type</u>	<u>Min/Max</u>	<u>Usage</u>
NAD010	3035	Party function code qualifier	M	an	1/3	Must use

Description: Code giving specific meaning to a party.

Code List Summary (Total Codes: 490, Included: 2)

Code Name

BY Buyer

Description: (3002) Party to which merchandise is sold.

SU Supplier

Description: (3280) Party which manufactures or otherwise has possession of goods, and consigns or makes them available in trade.

NAD020	C082	PARTY IDENTIFICATION DETAILS	C	Comp		Used
--------	------	------------------------------	---	------	--	------

Description: Identification of a transaction party by code.

NAD020-010	3039	Party identifier	M	an	1/35	Must use
------------	------	------------------	---	----	------	----------

Description: Code specifying the identity of a party.

BorgWarner Note: SU-Supplier information: Contains BorgWarner SAP Supplier ID

BY-Buyer information: Contains BorgWarner Plant code as a default. However, If Account at Vendor is used, this will take precedence instead of Plant Code.

NAD020-030	3055	Code list responsible agency code	C	an	1/3	Used
------------	------	-----------------------------------	---	----	-----	------

Description: Code specifying the agency responsible for a code list.

Code List Summary (Total Codes: 266, Included: 1)

Code Name

92 Assigned by buyer or buyer's agent

Description: Self explanatory.

NAD040	C080	PARTY NAME	C	Comp		Used
--------	------	------------	---	------	--	------

Description: Identification of a transaction party by name, one to five lines. Party name may be formatted.

<u>Ref</u>	<u>Tag</u>	<u>Element Name</u>	<u>Status</u>	<u>Type</u>	<u>Min/Max</u>	<u>Usage</u>
NAD040-010	3036	Party name Description: Name of a party involved in a transaction.	M	an	1/35	Must use
NAD050	C059	STREET Description: Street address and/or PO Box number in a structured address: one to four lines.	C	Comp		Used
NAD050-010	3042	Street and number/p.o. box Description: Street and number in plain language, or Post Office Box No.	M	an	1/35	Must use
NAD060	3164	City name Description: Name of a city (a town, a village) for addressing purposes.	C	an	1/35	Used
NAD080	3251	Postal identification code Description: Code specifying the postal zone or address.	C	an	1/17	Used
NAD090	3207	Country name code Description: Identification of the name of the country or other geographical entity as specified in ISO 3166.	C	an	1/3	Used

GIS GENERAL INDICATOR

Pos: 0200	Max: 1
Mandatory	
Group: 6	Elements: 1

User Option (Usage): Must use

Function: To transmit a processing indicator.

Element Summary:

<u>Ref</u>	<u>Tag</u>	<u>Element Name</u>	<u>Status</u>	<u>Type</u>	<u>Min/Max</u>	<u>Usage</u>
GIS010	C529	PROCESSING INDICATOR	M	Comp		Must use

Description: Type of process indication.

GIS010-010	7365	Processing indicator description code	M	an	1/3	Must use
------------	------	---------------------------------------	---	----	-----	----------

Description: Code specifying a processing indicator.

Code List Summary (Total Codes: 134, Included: 1)

Code Name

37 Complete information

Description: *Processing of information to note that complete data details (not just changes) are transmitted.*

Notes:

1. Segment marked for deletion in the D.02B directory.

NAD NAME AND ADDRESS

Pos: 0220	Max: 1
Mandatory	
Group: 7	Elements: 7

User Option (Usage): Must use

Function: To specify the name/address and their related function, either by C082 only and/or unstructured by C058 or structured by C080 thru 3207.

Element Summary:

<u>Ref</u>	<u>Tag</u>	<u>Element Name</u>	<u>Status</u>	<u>Type</u>	<u>Min/Max</u>	<u>Usage</u>
NAD010	3035	Party function code qualifier	M	an	1/3	Must use
<p>Description: Code giving specific meaning to a party.</p> <p>Code List Summary (Total Codes: 490, Included: 1)</p> <p><u>Code</u> <u>Name</u></p> <p>CN Consignee</p> <p>Description: (3132) Party to which goods are consigned.</p>						
NAD020	C082	PARTY IDENTIFICATION DETAILS	C	Comp		Used
<p>Description: Identification of a transaction party by code.</p>						
NAD020-010	3039	Party identifier	M	an	1/35	Must use
<p>Description: Code specifying the identity of a party.</p>						
NAD020-030	3055	Code list responsible agency code	C	an	1/3	Used
<p>Description: Code specifying the agency responsible for a code list.</p> <p>Code List Summary (Total Codes: 266, Included: 1)</p> <p><u>Code</u> <u>Name</u></p> <p>92 Assigned by buyer or buyer's agent</p> <p>Description: <i>Self explanatory.</i></p>						
NAD040	C080	PARTY NAME	C	Comp		Used
<p>Description: Identification of a transaction party by name, one to five lines. Party name may be formatted.</p>						
NAD040-010	3036	Party name	M	an	1/35	Must use
<p>Description: Name of a party involved in a transaction.</p>						
NAD050	C059	STREET	C	Comp		Used
<p>Description: Street address and/or PO Box number in a structured address: one to four lines.</p>						
NAD050-010	3042	Street and number/p.o. box	M	an	1/35	Must use
<p>Description: Street and number in</p>						

<u>Ref</u>	<u>Tag</u>	<u>Element Name</u>	<u>Status</u>	<u>Type</u>	<u>Min/Max</u>	<u>Usage</u>
NAD060	3164	plain language, or Post Office Box No. City name	C	an	1/35	Used
		Description: Name of a city (a town, a village) for addressing purposes.				
NAD080	3251	Postal identification code	C	an	1/17	Used
		Description: Code specifying the postal zone or address.				
NAD090	3207	Country name code	C	an	1/3	Used
		Description: Identification of the name of the country or other geographical entity as specified in ISO 3166.				

LOC PLACE/LOCATION IDENTIFICATION

Pos: 0230	Max: 10
Conditional	
Group: 7	Elements: 2

User Option (Usage): Used

Function: To identify a place or a location and/or related locations.

Element Summary:

Ref	Tag	Element Name	Status	Type	Min/Max	Usage
LOC010	3227	Location function code qualifier	M	an	1/3	Must use

Description: Code identifying the function of a location.

BorgWarner Note: 3227 Location Function Code Qualifier "11" used with NAD CN

Code List Summary (Total Codes: 217, Included: 1)

Code Name

11 Place/port of discharge

Description: (3392 + 3414) Seaport, airport, freight terminal, rail station or other place at which the goods (cargo) are unloaded from the means of transport having been used for their carriage.

LOC020	C517	LOCATION IDENTIFICATION	C	Comp		Used
--------	------	-------------------------	---	------	--	------

Description: Identification of a location by code or name.

BorgWarner Note: C517:3225 Location Identification used with NAD CN

LOC020-010	3225	Location name code	C	an	1/25	Used
------------	------	--------------------	---	----	------	------

Description: Code specifying the name of the location.

BorgWarner Note:

Note: required for Vendors using EDI Solutions to interface with Covisint

LIN LINE ITEM

Pos: 0380	Max: 1
Conditional	
Group: 12	Elements: 2

User Option (Usage): Must use

Function: To identify a line item and configuration.

Element Summary:

<u>Ref</u>	<u>Tag</u>	<u>Element Name</u>	<u>Status</u>	<u>Type</u>	<u>Min/Max</u>	<u>Usage</u>
LIN010	1082	Line item number	C	an	1/6	Used
		Description: Serial number designating each separate item within a series of articles.				
LIN030	C212	ITEM NUMBER IDENTIFICATION	C	Comp		Used
		Description: Goods identification for a specified source.				
LIN030-010	7140	Item number	C	an	1/35	Used
		Description: A number allocated to a group or item.				
LIN030-020	7143	Item type identification code	C	an	1/3	Used
		Description: Code specifying an item code.				
		Code List Summary (Total Codes: 100, Included: 1)				
		<u>Code</u>	<u>Name</u>			
		IN	Buyer's item number			
			Description: <i>Self explanatory.</i>			

IMD ITEM DESCRIPTION

Pos: 0400	Max: 10
Conditional	
Group: 12	Elements: 2

User Option (Usage): Used

Function: To describe an item in either an industry or free format.

Element Summary:

<u>Ref</u>	<u>Tag</u>	<u>Element Name</u>	<u>Status</u>	<u>Type</u>	<u>Min/Max</u>	<u>Usage</u>				
IMD010	7077	Item description type, coded	C	an	1/3	Used				
		<p>Description: Code indicating the format of a description.</p> <p>Code List Summary (Total Codes: 8, Included: 1)</p> <table border="1"> <thead> <tr> <th><u>Code</u></th> <th><u>Name</u></th> </tr> </thead> <tbody> <tr> <td>F</td> <td>Free-form</td> </tr> </tbody> </table> <p>Description: <i>Self explanatory.</i></p>					<u>Code</u>	<u>Name</u>	F	Free-form
<u>Code</u>	<u>Name</u>									
F	Free-form									
IMD030	C273	ITEM DESCRIPTION	C	Comp		Used				
		<p>Description: Description of an item.</p>								
IMD030-040	7008	Item description	C	an	1/256	Used				
		<p>Description: Plain language description of articles or products.</p>								

DTM DATE/TIME/PERIOD

Pos: 0460	Max: 5
Conditional	
Group: 12	Elements: 1

User Option (Usage): Used

Function: To specify date, and/or time, or period.

Element Summary:

<u>Ref</u>	<u>Tag</u>	<u>Element Name</u>	<u>Status</u>	<u>Type</u>	<u>Min/Max</u>	<u>Usage</u>
DTM010	C507	DATE/TIME/PERIOD	M	Comp		Must use
		Description: Date and/or time, or period relevant to the specified date/time/period type.				
DTM010-010	2005	Date/time/period function code qualifier	M	an	1/3	Must use
		Description: Code giving specific meaning to a date, time or period.				
		Code List Summary (Total Codes: 697, Included: 2)				
		<u>Code</u>	<u>Name</u>			
		164	Processing end date/time			
		Description: <i>Date/Time when a specific process ends.</i>				
		206	End date/time			
		Description: <i>Date/time on which a period (from - to) ends.</i>				
DTM010-020	2380	Date/time/period value	C	an	1/35	Used
		Description: The value of a date, a date and time, a time or of a period in a specified representation.				
DTM010-030	2379	Date/time/period format code	C	an	1/3	Used
		Description: Code specifying the representation of a date, time or period.				
		Code List Summary (Total Codes: 74, Included: 1)				
		<u>Code</u>	<u>Name</u>			
		102	CCYYMMDD			
		Description: <i>Calendar date: C = Century ; Y = Year ; M = Month ; D = Day.</i>				

BorgWarner Note:

164 = End of Production Go Ahead Date
 206 = End of Material Go Ahead Date

RFF REFERENCE

Pos: 0490	Max: 1
Mandatory	
Group: 13	Elements: 1

User Option (Usage): Must use
Function: To specify a reference.

Element Summary:

<u>Ref</u>	<u>Tag</u>	<u>Element Name</u>	<u>Status</u>	<u>Type</u>	<u>Min/Max</u>	<u>Usage</u>
RFF010	C506	REFERENCE	M	Comp		Must use
		Description: Identification of a reference.				
RFF010-010	1153	Reference function code qualifier	M	an	1/3	Must use
		Description: Code giving specific meaning to a reference segment or a reference number.				
		Code List Summary (Total Codes: 707, Included: 3)				
		<u>Code</u>		<u>Name</u>		
		ON		BorgWarner Scheduling Agreement Number		Description: <i>[1022] Reference number assigned by the buyer to an order.</i>
		AAN		Delivery schedule number		Description: <i>Reference number assigned by buyer to a delivery schedule.</i>
		AIF		Previous delivery instruction number		Description: <i>The identification of a previous delivery instruction.</i>
RFF010-020	1154	Reference identifier	C	an	1/35	Used
		Description: Identifies a reference.				
RFF010-030	1156	Line number	C	an	1/6	Used
		Description: Number of the line in the document/message referenced in 1154 Reference identifier.				
		BorgWarner Note: <i>This line item number must be returned in the DESADV</i>				
		<i>RFF010-030 where</i>				
		<i>RFF010-010 = "ON"</i>				
		<i>to correlate the line number for that part for the Scheduling Agreement.</i>				

BorgWarner Note:

RFF AAN will be mapped with DTM 137
RFF ON will always exist, and if DTM 51 Exists, it will exist with this RFF ON group
RFF AIF will not have a DTM

DTM DATE/TIME/PERIOD

Pos: 0500	Max: 1
Conditional	
Group: 13	Elements: 1

User Option (Usage): Used

Function: To specify date, and/or time, or period.

Element Summary:

<u>Ref</u>	<u>Tag</u>	<u>Element Name</u>	<u>Status</u>	<u>Type</u>	<u>Min/Max</u>	<u>Usage</u>
DTM010	C507	DATE/TIME/PERIOD	M	Comp		Must use
		Description: Date and/or time, or period relevant to the specified date/time/period type.				
DTM010-010	2005	Date/time/period function code qualifier	M	an	1/3	Must use
		Description: Code giving specific meaning to a date, time or period.				
		Code List Summary (Total Codes: 697, Included: 2)				
		<u>Code</u>	<u>Name</u>			
		51	Cumulative quantity start date			
			Description: <i>First Date for accumulation of delivery quantities.</i>			
		137	Document/message date/time			
			Description: <i>(2006) Date/time when a document/message is issued. This may include authentication.</i>			
DTM010-020	2380	Date/time/period value	C	an	1/35	Used
		Description: The value of a date, a date and time, a time or of a period in a specified representation.				
DTM010-030	2379	Date/time/period format code	C	an	1/3	Used
		Description: Code specifying the representation of a date, time or period.				
		Code List Summary (Total Codes: 74, Included: 1)				
		<u>Code</u>	<u>Name</u>			
		102	CCYYMMDD			
			Description: <i>Calendar date: C = Century ; Y = Year ; M = Month ; D = Day.</i>			

QTY QUANTITY

Pos: 0560	Max: 1
Mandatory	
Group: 15	Elements: 1

User Option (Usage): Must use

Function: To specify a pertinent quantity.

Element Summary:

<u>Ref</u>	<u>Tag</u>	<u>Element Name</u>	<u>Status</u>	<u>Type</u>	<u>Min/Max</u>	<u>Usage</u>
QTY010	C186	QUANTITY DETAILS	M	Comp		Must use

Description: Quantity information in a transaction, qualified when relevant.

QTY010-010	6063	Quantity type code qualifier	M	an	1/3	Must use
------------	------	------------------------------	---	----	-----	----------

Description: Code qualifying the type of quantity.

Code List Summary (Total Codes: 412, Included: 4)

Code Name

12 Despatch quantity

Description: *Quantity despatched by the seller.*

48 Received quantity

Description: *The quantity which has been received.*

70 Cumulative quantity received

Description: *Cumulative quantity of all deliveries of this article received by the buyer.*

71 Cumulative quantity ordered

Description: *Cumulative quantity of all deliveries, outstanding and scheduled orders.*

QTY010-020	6060	Quantity	M	an	1/35	Must use
------------	------	----------	---	----	------	----------

Description: Alphanumeric representation of a quantity.

BorgWarner Note: *BorgWarner Truncates Decimals*

QTY010-030	6411	Measurement unit code	C	an	1/3	Used
------------	------	-----------------------	---	----	-----	------

Description: Code specifying the unit of measurement.

BorgWarner Note: *This is the UOM agreed on for the between BorgWarner and the vendor*

BorgWarner Note:

Please see the sample data at the end of this guideline for expected layout sample. Three most recent deliveries will be sent.

It will be as follows

Group 15 (1)

QTY+70

Group 15 (2)

QTY+71
Group 15 (3) - most recent delivery
QTY+12
Group 15 (4) additional quantities and dates in that delivery
QTY+48
Group 16
RFF+AAK
DTM+171
Group 15 (5) - second most recent delivery
QTY+12
Group 15 (6) additional quantities and dates in that delivery
QTY+48
Group 16
RFF+AAK
DTM+171
Group 15 (7) - third most recent delivery
QTY+12
Group 15 (8) additional quantities and dates in that delivery
QTY+48
Group 16
RFF+AAK
DTM+171

RFF REFERENCE

Pos: 0590	Max: 1
Mandatory	
Group: 16	Elements: 1

User Option (Usage): Must use
Function: To specify a reference.

Element Summary:

<u>Ref</u>	<u>Tag</u>	<u>Element Name</u>	<u>Status</u>	<u>Type</u>	<u>Min/Max</u>	<u>Usage</u>
RFF010	C506	REFERENCE	M	Comp		Must use
		Description: Identification of a reference.				
RFF010-010	1153	Reference function code qualifier	M	an	1/3	Must use
		Description: Code giving specific meaning to a reference segment or a reference number.				
		Code List Summary (Total Codes: 707, Included: 1)				
		Code Name				
		AAK Despatch advice number				
		Description: <i>Reference number assigned by issuing party to a despatch advice.</i>				
RFF010-020	1154	Reference identifier	C	an	1/35	Used
		Description: Identifies a reference.				

DTM DATE/TIME/PERIOD

Pos: 0600	Max: 1
Conditional	
Group: 16	Elements: 1

User Option (Usage): Used

Function: To specify date, and/or time, or period.

Element Summary:

<u>Ref</u>	<u>Tag</u>	<u>Element Name</u>	<u>Status</u>	<u>Type</u>	<u>Min/Max</u>	<u>Usage</u>
DTM010	C507	DATE/TIME/PERIOD	M	Comp		Must use
		Description: Date and/or time, or period relevant to the specified date/time/period type.				
DTM010-010	2005	Date/time/period function code qualifier	M	an	1/3	Must use
		Description: Code giving specific meaning to a date, time or period.				
		Code List Summary (Total Codes: 697, Included: 1)				
		<u>Code</u>	<u>Name</u>			
		171	Reference date/time			
		Description: <i>Date/time on which the reference was issued.</i>				
DTM010-020	2380	Date/time/period value	C	an	1/35	Used
		Description: The value of a date, a date and time, a time or of a period in a specified representation.				
DTM010-030	2379	Date/time/period format code	C	an	1/3	Used
		Description: Code specifying the representation of a date, time or period.				
		Code List Summary (Total Codes: 74, Included: 1)				
		<u>Code</u>	<u>Name</u>			
		102	CCYYMMDD			
		Description: <i>Calendar date: C = Century ; Y = Year ; M = Month ; D = Day.</i>				

SCC SCHEDULING CONDITIONS

Pos: 0620	Max: 1
Mandatory	
Group: 17	Elements: 2

User Option (Usage): Must use

Function: To specify scheduling conditions.

Element Summary:

<u>Ref</u>	<u>Tag</u>	<u>Element Name</u>	<u>Status</u>	<u>Type</u>	<u>Min/Max</u>	<u>Usage</u>
SCC010	4017	Delivery plan commitment level code	M	an	1/3	Must use

Description: Code specifying the level of commitment to a delivery plan.

Code List Summary (Total Codes: 24, Included: 2)

Code Name

- 1 Firm
Description: *Indicates that the scheduling information is a firm commitment.*
- 4 Planning/forecast
Description: *Self explanatory.*

SCC030	C329	PATTERN DESCRIPTION	C	Comp		Used
--------	------	---------------------	---	------	--	------

Description: Shipment, delivery or production interval pattern and timing.

SCC030-010	2013	Frequency code	C	an	1/3	Used
------------	------	----------------	---	----	-----	------

Description: Code specifying the rate of recurrence.

Code List Summary (Total Codes: 14, Included: 3)

Code Name

- M Monthly (calendar months)
Description: *Code defining a forecast by calendar month(s).*
- W Weekly
Description: *Code defining a forecast for weekly intervals.*
- Y Daily
Description: *Self explanatory.*

QTY QUANTITY

Pos: 0640	Max: 1
Mandatory	
Group: 18	Elements: 1

User Option (Usage): Must use

Function: To specify a pertinent quantity.

Element Summary:

<u>Ref</u>	<u>Tag</u>	<u>Element Name</u>	<u>Status</u>	<u>Type</u>	<u>Min/Max</u>	<u>Usage</u>
QTY010	C186	QUANTITY DETAILS	M	Comp		Must use
		Description: Quantity information in a transaction, qualified when relevant.				
QTY010-010	6063	Quantity type code qualifier	M	an	1/3	Must use
		Description: Code qualifying the type of quantity.				
		Code List Summary (Total Codes: 412, Included: 1)				
		Code Name				
		113 Quantity to be delivered				
		Description: <i>The quantity to be delivered.</i>				
QTY010-020	6060	Quantity	M	an	1/35	Must use
		Description: Alphanumeric representation of a quantity.				
		BorgWarner Note: <i>BorgWarner Truncates Decimals</i>				
QTY010-030	6411	Measurement unit code	C	an	1/3	Used
		Description: Code specifying the unit of measurement.				
		BorgWarner Note: <i>This is the UOM agreed on for the between BorgWarner and the vendor</i>				

DTM DATE/TIME/PERIOD

Pos: 0650	Max: 2
Conditional	
Group: 18	Elements: 1

User Option (Usage): Used

Function: To specify date, and/or time, or period.

Element Summary:

<u>Ref</u>	<u>Tag</u>	<u>Element Name</u>	<u>Status</u>	<u>Type</u>	<u>Min/Max</u>	<u>Usage</u>
DTM010	C507	DATE/TIME/PERIOD	M	Comp		Must use
		Description: Date and/or time, or period relevant to the specified date/time/period type.				
DTM010-010	2005	Date/time/period function code qualifier	M	an	1/3	Must use
		Description: Code giving specific meaning to a date, time or period.				
		Code List Summary (Total Codes: 697, Included: 1)				
		<u>Code</u>	<u>Name</u>			
		2	Delivery date/time, requested			
		Description: <i>Date on which buyer requests goods to be delivered.</i>				
DTM010-020	2380	Date/time/period value	C	an	1/35	Used
		Description: The value of a date, a date and time, a time or of a period in a specified representation.				
DTM010-030	2379	Date/time/period format code	C	an	1/3	Used
		Description: Code specifying the representation of a date, time or period.				
		Code List Summary (Total Codes: 74, Included: 1)				
		<u>Code</u>	<u>Name</u>			
		102	CCYYMMDD			
		Description: <i>Calendar date: C = Century ; Y = Year ; M = Month ; D = Day.</i>				

UNT MESSAGE TRAILER

Pos: 1040	Max: 1
Mandatory	
Group: N/A	Elements: 2

User Option (Usage): Must use

Function: To end and check the completeness of a message.

Element Summary:

<u>Ref</u>	<u>Tag</u>	<u>Element Name</u>	<u>Status</u>	<u>Type</u>	<u>Min/Max</u>	<u>Usage</u>
UNT010	0074	Number of segments in a message	M	n	1/10	Must use
		Description: The number of segments in a message body, plus the message header segment and message trailer segment.				
UNT020	0062	Message reference number	M	an	1/14	Must use
		Description: Unique message reference assigned by the sender.				

Notes:

- 0062, the value shall be identical to the value in 0062 in the corresponding UNH segment.

BorgWarner Note:

Sample Data:

```

UNB+UNOC:3+332856587:01+O0013001010SCHROTH+190520:1516+48'
UNH+1+DELFOR:D:99B:UN'
BGM+241+154'
DTM+137:20190401:102'
NAD+BY+10034::92++BORGWARNER TS ARNSTADT GMBH+AUGUST-BROEMEL-STRASE
4+ARNSTADT++99310+DE'
NAD+SU+107031::92++VENDOR NAME+RINGSTRASE 13+OHRDRUF++99885+DE'
GIS+37'
NAD+CN+6300::92++BORGWARNER TS ARNSTADT GMBH+AUGUST-BROEMEL-STRASE
4+ARNSTADT++99310+DE'
LOC+11+RCV'
LIN+1++914338:IN'
IMD+F+:::INNENLAMELLENTRAGER, 6090-690HSG'
DTM+164:20191231:102'
DTM+206:20191201:102'
RFF+AAN:154'
DTM+137:20190401:102'
RFF+ON:5500013398:00010'
DTM+51:20100101:102'
RFF+AIF:153'
QTY+70:339223:EA'
QTY+71:370903:EA'
QTY+12:1440:EA'
QTY+48:1440:EA'
RFF+AAK:80315167'
DTM+171:20190401:102'
QTY+12:1440:EA'
QTY+48:1440:EA'
RFF+AAK:80313296'
DTM+171:20190311:102'
QTY+12:1440:EA'
    
```

QTY+48:1440:EA'
RFF+AAK:80311729'
DTM+171:20190219:102'
SCC+1++Y'
QTY+113:1440:EA'
DTM+2:20190408:102'
SCC+1++Y'
QTY+113:1440:EA'
DTM+2:20190423:102'
UNT+113+1'
UNZ+1+48'

UNZ INTERCHANGE TRAILER

Pos:	Max: 1
Mandatory	
Group: N/A	Elements: 2

User Option (Usage): Must use

Function: To end and check the completeness of an interchange.

Element Summary:

<u>Ref</u>	<u>Tag</u>	<u>Element Name</u>	<u>Status</u>	<u>Type</u>	<u>Min/Max</u>	<u>Usage</u>
UNZ010	0036	Interchange control count	M	n	1/6	Must use
		Description: The number of messages and packages in an interchange or, if used, the number of groups in an interchange.				
UNZ020	0020	Interchange control reference	M	an	1/14	Must use
		Description: Unique reference assigned by the sender to an interchange.				

Notes:

1. 0020, the value shall be identical to the value in 0020 in the corresponding UNB segment.