



INVRPT Inventory report message

EDIFACT/D99B/INVRPT : INVRPT Inventory report message

Version: 1.0 Draft

Author:	Pauline Flanigan
Publication:	12/16/2015
Created:	12/14/2015
Modified:	12/16/2015

Table of Contents

INVRPT	Inventory report message	1
	Branching Diagram - 1	3
	Branching Diagram - 2	4
	Branching Diagram - 3	5
UNH	MESSAGE HEADER	6
BGM	BEGINNING OF MESSAGE	8
DTM	DATE/TIME/PERIOD	9
NAD	NAME AND ADDRESS	10
LOC	PLACE/LOCATION IDENTIFICATION	12
RFF	REFERENCE	13
LIN	LINE ITEM	14
IMD	ITEM DESCRIPTION	15
INV	INVENTORY MANAGEMENT RELATED DETAILS	16
QTY	QUANTITY	17
DTM	DATE/TIME/PERIOD	18
RFF	REFERENCE	19
DTM	DATE/TIME/PERIOD	20
UNT	MESSAGE TRAILER	21

INVRPT Inventory report message

Message Status=3

Definition: A message specifying information relating to held inventories. The Inventory report message is intended to be used in either direction between trading partners.

Heading:

<u>Pos</u>	<u>Tag</u>	<u>Segment Name</u>	<u>Status</u>	<u>Rep</u>	<u>Notes</u>	<u>Usage</u>
0010	UNH	MESSAGE HEADER	M	1	N1/0010	Must use
0020	BGM	BEGINNING OF MESSAGE	M	1	N1/0020	Must use
0040	DTM	DATE/TIME/PERIOD	M	10	N1/0040	Must use
0080		Segment Group 2	C	20	N1/0080	Used
0090	NAD	NAME AND ADDRESS	M	1	N1/0090	Must use
0100	LOC	PLACE/LOCATION IDENTIFICATION	C	5	N1/0100	Used
0110		Segment Group 3	C	99	N1/0110	Used
0120	RFF	REFERENCE	M	1	N1/0120	Must use

Detail:

<u>Pos</u>	<u>Tag</u>	<u>Segment Name</u>	<u>Status</u>	<u>Rep</u>	<u>Notes</u>	<u>Usage</u>
0290		Segment Group 9	C	9999	N2/0290	Used
0300	LIN	LINE ITEM	M	1	N2/0300	Must use
0320	IMD	ITEM DESCRIPTION	C	10	N2/0320	Used
0420		Segment Group 11	C	9999	N2/0420	Used
0430	INV	INVENTORY MANAGEMENT RELATED DETAILS	M	1	N2/0430	Must use
0440	QTY	QUANTITY	M	1	N2/0440	Must use
0470	DTM	DATE/TIME/PERIOD	C	5	N2/0470	Used
0560		Segment Group 14	C	10	N2/0560	Used
0570	RFF	REFERENCE	M	1	N2/0570	Must use
0580	DTM	DATE/TIME/PERIOD	C	1	N2/0580	Used
0730	UNT	MESSAGE TRAILER	M	1	N2/0730	Must use

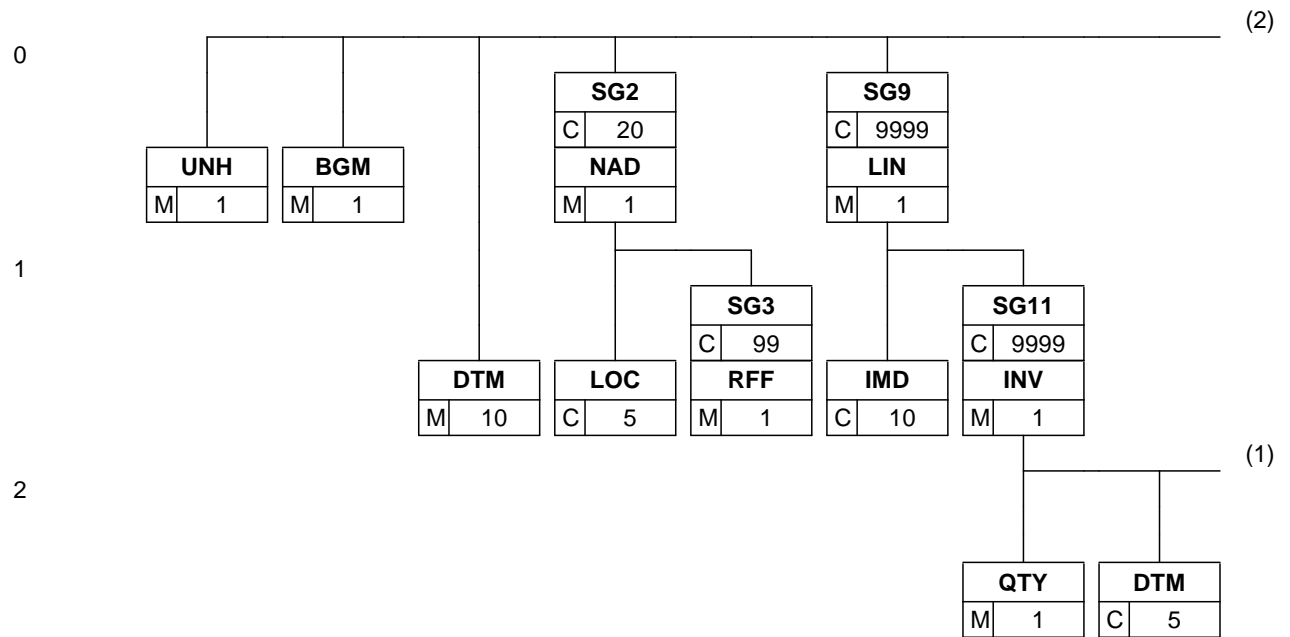
Clarification:

- 1/0010 A service segment starting and uniquely identifying a message. The message type code for the Inventory report message is INVRPT. Note: Inventory report messages conforming to this document must contain the following data in segment UNH, composite S009: Data element 0065 INVRPT 0052 D 0054 99B 0051 UN
- 1/0020 A segment for unique identification of the Inventory Report document, name and its number.
- 1/0040 Date/time/period related to the whole message. The segment must be specified at least once to identify the date at which the inventory report was issued.
- 1/0080 A group of segments identifying names, addresses and locations relevant to the whole message.
- 1/0090 A segment for identifying names and addresses and their functions relevant for the whole Inventory Report. Indications of the parties involved is recommended for the Inventory Report message. They are to be given in the NAD segment. It is recommended that where possible only the coded form of the party ID should be specified.
- 1/0100 A segment giving more specific location information in addition to the address specified in the NAD segment.
- 1/0110 A group of segments giving references only relating to the specified party, rather than the whole message.

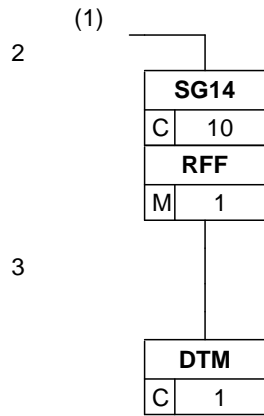
- 1/0120 A segment for referencing documents and other numbers pertinent to the party identified in the NAD segment.
- 2/0290 A group of segments providing detailed information on each line of the inventory report.
- 2/0300 A segment identifying a specific line item in the inventory report. All other segments in the detail section refer to the line item.
- 2/0320 A segment for describing the item.
- 2/0420 A group of segments providing a quantity with all inventory management related information and optionally package details, line item currencies and references.
- 2/0430 A segment to provide all the parameters required for an inventory activity report, e.g. the reason for an inventory movement, the direction of an inventory movement, etc.
- 2/0440 A segment to provide a quantity information suitably qualified, for the product referred to by the LIN segment, e.g. opening balance quantity, closing balance quantity, inventory movement quantity, etc.
- 2/0470 Date/time/period as applied to the quantity.
- 2/0560 A group of segments giving references only relating to the specified quantity.
- 2/0570 A segment for referencing documents and other numbers pertinent to the quantity.
- 2/0580 Date/time/period as applied to the referred document.
- 2/0730 A service segment ending a message, giving the total number of segments in the message (including the UNH & UNT) and the control reference number of the message.

BorgWarner Note:***Change Log:******2015-12-16 Pauline Flanigan Final Version Ready for Publication***

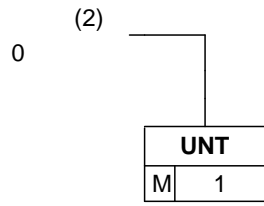
Branching Diagram: INVRPT(Inventory report message)



Branching Diagram: INVRPT(Inventory report message)



Branching Diagram: INVRPT(Inventory report message)



UNH MESSAGE HEADER

Pos: 0010	Max: 1
Mandatory	
Group: N/A	Elements: 2

User Option (Usage): Must use

Function: To head, identify and specify a message.

Element Summary:

<u>Ref</u>	<u>Tag</u>	<u>Element Name</u>	<u>Status</u>	<u>Type</u>	<u>Min/Max</u>	<u>Usage</u>
UNH010	0062	Message reference number	M	an	1/14	Must use
		Description: Unique message reference assigned by the sender.				
UNH020	S009	MESSAGE IDENTIFIER	M	Comp		Must use
		Description: Identification of the type, version, etc. of the message being interchanged.				
UNH020-010	0065	Message type	M	an	1/6	Must use
		Description: Code identifying a type of message and assigned by its controlling agency.				
		CodeList Summary (Total Codes: 180, Included: 1)				
		<u>Code</u>	<u>Name</u>			
		INVRPT	Inventory report message			
		Description: A code to identify the inventory report message.				
UNH020-020	0052	Message version number	M	an	1/3	Must use
		Description: Version number of a message type.				
		CodeList Summary (Total Codes: 8, Included: 1)				
		<u>Code</u>	<u>Name</u>			
		D	Draft version/UN/EDIFACT Directory			
		Description: Message approved and issued as a draft message (Valid for directories published after March 1993 and prior to March 1997). Message approved as a standard message (Valid for directories published after March 1997).				
UNH020-030	0054	Message release number	M	an	1/3	Must use
		Description: Release number within the current message version number.				
		CodeList Summary (Total Codes: 20, Included: 1)				
		<u>Code</u>	<u>Name</u>			
		99B	Release 1999 - B			
		Description: Message approved and issued in the second 1999 release of the UNTDID (United Nations Trade Data Interchange Directory).				
UNH020-040	0051	Controlling agency, coded	M	an	1/3	Must use
		Description: Code identifying a				

<u>Ref</u>	<u>Tag</u>	<u>Element Name</u>	<u>Status</u>	<u>Type</u>	<u>Min/Max</u>	<u>Usage</u>
		controlling agency.				

CodeList Summary (Total Codes: 25, Included: 1)

Code Name

UN UN/CEFACT

Description: *United Nations Economic UN Economic Commission for Europe (UN/ECE), Committee on the development of trade (TRADE), Working Party on facilitation of international trade procedures (WP.4).*

Notes:

1. Data element S009/0057 is retained for upward compatibility. The use of S016 and/or S017 is encouraged in preference.
2. The combination of the values carried in data elements 0062 and S009 shall be used to identify uniquely the message within its group (if used) or if not used, within its interchange, for the purpose of acknowledgement.

BGM BEGINNING OF MESSAGE

Pos: 0020	Max: 1
Mandatory	
Group: N/A	Elements: 2

User Option (Usage): Must use

Function: To indicate the type and function of a message and to transmit the identifying number.

Element Summary:

<u>Ref</u>	<u>Tag</u>	<u>Element Name</u>	<u>Status</u>	<u>Type</u>	<u>Min/Max</u>	<u>Usage</u>
BGM010	C002	DOCUMENT/MESSAGE NAME	C	Comp		Used

Description: Identification of a type of document/message by code or name. Code preferred.

BGM010-010	1001	Document name code	C	an	1/3	Used
------------	------	--------------------	---	----	-----	------

Description: Code specifying the document name.

CodeList Summary (Total Codes: 549, Included: 1)

Code Name

35 Inventory report

Description: *A message specifying information relating to held inventories.*

BGM020	C106	DOCUMENT/MESSAGE IDENTIFICATION	C	Comp		Used
--------	------	---------------------------------	---	------	--	------

Description: Identification of a document/message by its number and eventually its version or revision.

BGM020-010	1004	Document/message number	C	an	1/35	Used
------------	------	-------------------------	---	----	------	------

Description: Reference number assigned to the document/message by the issuer.

DTM DATE/TIME/PERIOD

Pos: 0040	Max: 10
Mandatory	
Group: N/A	Elements: 1

User Option (Usage): Must use

Function: To specify date, and/or time, or period.

Element Summary:

<u>Ref</u>	<u>Tag</u>	<u>Element Name</u>	<u>Status</u>	<u>Type</u>	<u>Min/Max</u>	<u>Usage</u>
DTM010	C507	DATE/TIME/PERIOD	M	Comp		Must use
		Description: Date and/or time, or period relevant to the specified date/time/period type.				
DTM010-010	2005	Date/time/period function code qualifier	M	an	1/3	Must use
		Description: Code giving specific meaning to a date, time or period.				
		CodeList Summary (Total Codes: 697, Included: 1)				
		<u>Code</u>	<u>Name</u>			
		137	Document/message date/time			
		Description: (2006) Date/time when a document/message is issued. This may include authentication.				
DTM010-020	2380	Date/time/period value	C	an	1/35	Used
		Description: The value of a date, a date and time, a time or of a period in a specified representation.				
DTM010-030	2379	Date/time/period format code	C	an	1/3	Used
		Description: Code specifying the representation of a date, time or period.				
		CodeList Summary (Total Codes: 74, Included: 1)				
		<u>Code</u>	<u>Name</u>			
		102	CCYYMMDD			
		Description: Calendar date: C = Century ; Y = Year ; M = Month ; D = Day.				

NAD NAME AND ADDRESS

Pos: 0090	Max: 1
Mandatory	
Group: 2	Elements: 7

User Option (Usage): Must use

Function: To specify the name/address and their related function, either by C082 only and/or unstructured by C058 or structured by C080 thru 3207.

Element Summary:

<u>Ref</u>	<u>Tag</u>	<u>Element Name</u>	<u>Status</u>	<u>Type</u>	<u>Min/Max</u>	<u>Usage</u>
NAD010	3035	Party function code qualifier	M	an	1/3	Must use

Description: Code giving specific meaning to a party.

CodeList Summary (Total Codes: 490, Included: 3)

Code Name

BY Buyer

Description: (3002) Party to which merchandise is sold.

CN Consignee

Description: (3132) Party to which goods are consigned.

SU Supplier

Description: (3280) Party which manufactures or otherwise has possession of goods, and consigns or makes them available in trade.

NAD020	C082	PARTY IDENTIFICATION DETAILS	C	Comp		Used
Description: Identification of a transaction party by code.						

NAD020-010	3039	Party identifier	M	an	1/35	Must use
Description: Code specifying the identity of a party.						

NAD020-030	3055	Code list responsible agency code	C	an	1/3	Used
Description: Code specifying the agency responsible for a code list.						

CodeList Summary (Total Codes: 266, Included: 1)

Code Name

92 Assigned by buyer or buyer's agent

Description: *Self explanatory.*

NAD040	C080	PARTY NAME	C	Comp		Used
Description: Identification of a transaction party by name, one to five lines. Party name may be formatted.						

NAD040-010	3036	Party name	M	an	1/35	Must use
Description: Name of a party involved in a transaction.						

NAD050	C059	STREET	C	Comp		Used
--------	------	--------	---	------	--	------

<u>Ref</u>	<u>Tag</u>	<u>Element Name</u>	<u>Status</u>	<u>Type</u>	<u>Min/Max</u>	<u>Usage</u>
		Description: Street address and/or PO Box number in a structured address: one to four lines.				
NAD050-010	3042	Street and number/p.o. box	M	an	1/35	Must use
		Description: Street and number in plain language, or Post Office Box No.				
NAD050-020	3042	Street and number/p.o. box	C	an	1/35	Used
		Description: Street and number in plain language, or Post Office Box No.				
NAD060	3164	City name	C	an	1/35	Used
		Description: Name of a city (a town, a village) for addressing purposes.				
NAD080	3251	Postal identification code	C	an	1/17	Used
		Description: Code specifying the postal zone or address.				
NAD090	3207	Country name code	C	an	1/3	Used
		Description: Identification of the name of the country or other geographical entity as specified in ISO 3166.				

LOC PLACE/LOCATION IDENTIFICATION

Pos: 0100	Max: 5
Conditional	
Group: 2	Elements: 2

User Option (Usage): Used

Function: To identify a place or a location and/or related locations.

Element Summary:

Ref	Tag	Element Name	Status	Type	Min/Max	Usage
LOC010	3227	Location function code qualifier	M	an	1/3	Must use

Description: Code identifying the function of a location.

CodeList Summary (Total Codes: 217, Included: 1)

Code Name

18 Warehouse

Description: (3156) Warehouse where a particular consignment has been stored.

LOC020	C517	LOCATION IDENTIFICATION	C	Comp		Used
--------	------	-------------------------	---	------	--	------

Description: Identification of a location by code or name.

LOC020-010	3225	Location name code	C	an	1/25	Used
------------	------	--------------------	---	----	------	------

Description: Code specifying the name of the location.

LOC020-030	3055	Code list responsible agency code	C	an	1/3	Used
------------	------	-----------------------------------	---	----	-----	------

Description: Code specifying the agency responsible for a code list.

CodeList Summary (Total Codes: 266, Included: 1)

Code Name

92 Assigned by buyer or buyer's agent

Description: Self explanatory.

BorgWarner Note:

Will Occur one time with the Group 2 NAD010 = BY

RFF REFERENCE

Pos: 0120	Max: 1
Mandatory	
Group: 3	Elements: 1

User Option (Usage): Must use
Function: To specify a reference.

Element Summary:

<u>Ref</u>	<u>Tag</u>	<u>Element Name</u>	<u>Status</u>	<u>Type</u>	<u>Min/Max</u>	<u>Usage</u>
RFF010	C506	REFERENCE	M	Comp		Must use
		Description: Identification of a reference.				
RFF010-010	1153	Reference function code qualifier	M	an	1/3	Must use
		Description: Code giving specific meaning to a reference segment or a reference number.				
		CodeList Summary (Total Codes: 707, Included: 1)				
		Code		Name		
		VA		VAT registration number		
				Description: <i>Unique number assigned by the relevant tax authority to identify a party for use in relation to Value Added Tax (VAT).</i>		
RFF010-020	1154	Reference identifier	C	an	1/35	Used
		Description: Identifies a reference.				

BorgWarner Note:

Will Occur one time with the Group 2 NAD010 = BY

LIN LINE ITEM

Pos: 0300	Max: 1
Mandatory	
Group: 9	Elements: 2

User Option (Usage): Must use

Function: To identify a line item and configuration.

Element Summary:

<u>Ref</u>	<u>Tag</u>	<u>Element Name</u>	<u>Status</u>	<u>Type</u>	<u>Min/Max</u>	<u>Usage</u>
LIN010	1082	Line item number	C	an	1/6	Used
		Description: Serial number designating each separate item within a series of articles.				
LIN030	C212	ITEM NUMBER IDENTIFICATION	C	Comp		Used
		Description: Goods identification for a specified source.				
LIN030-010	7140	Item number	C	an	1/35	Used
		Description: A number allocated to a group or item.				
LIN030-020	7143	Item type identification code	C	an	1/3	Used
		Description: Code specifying an item code.				

CodeList Summary (Total Codes: 100, Included: 1)

Code Name

BP Buyer's part number

Description: *Reference number assigned by the buyer to identify an article.*

IMD ITEM DESCRIPTION

Pos: 0320	Max: 10
Conditional	
Group: 9	Elements: 2

User Option (Usage): Used

Function: To describe an item in either an industry or free format.

Element Summary:

<u>Ref</u>	<u>Tag</u>	<u>Element Name</u>	<u>Status</u>	<u>Type</u>	<u>Min/Max</u>	<u>Usage</u>
IMD010	7077	Item description type, coded	C	an	1/3	Used

Description: Code indicating the format of a description.

CodeList Summary (Total Codes: 8, Included: 1)

Code Name

F Free-form

Description: *Self explanatory.*

IMD020	C272	ITEM CHARACTERISTIC	C	Comp		Used
--------	------	---------------------	---	------	--	------

Description: To provide the characteristic of the item being described.

IMD020-010	7081	Item characteristic code	C	an	1/3	Used
------------	------	--------------------------	---	----	-----	------

Description: Code specifying the characteristic of an item.

CodeList Summary (Total Codes: 180, Included: 1)

Code Name

1 Certificate of conformity

Description: *Product in conformity with specifications.*

INV INVENTORY MANAGEMENT RELATED DETAILS

Pos: 0430	Max: 1
Mandatory	
Group: 11	Elements: 2

User Option (Usage): Must use

Function: To provide the different information related to the inventory management functions and needed to process properly the inventory movements and the inventory balances.

Element Summary:

<u>Ref</u>	<u>Tag</u>	<u>Element Name</u>	<u>Status</u>	<u>Type</u>	<u>Min/Max</u>	<u>Usage</u>
INV030	4499	Reason for inventory movement, coded	C	an	1/3	Used

Description: To explain the reason for the inventory movement.

CodeList Summary (Total Codes: 11, Included: 3)

Code Name

- 1 Reception
Description: *Goods received at warehouse from another party or warehouse.*
- 7 Reversal of previous movement
Description: *This inventory movement is issued to cancel a previously processed movement.*
- 11 Consumption
Description: *The inventory movement corresponds to goods taken out of consigned inventory for consumption.*

INV040	4503	Inventory balance method, coded	C	an	1/3	Used
--------	------	---------------------------------	---	----	-----	------

Description: To specify the method used to establish an inventory balance.

CodeList Summary (Total Codes: 3, Included: 1)

Code Name

- 1 Book-keeping inventory balance
Description: *An inventory balance resulting from the book-keeping.*

BorgWarner Note:

This Guideline represents all Vendor Consignment options either combined in one transaction or individually

Including:

Inventory Received

Inventory Consumed

Cancel a previously processed movement

Current stock

Summary

QTY QUANTITY

Pos: 0440	Max: 1
Mandatory	
Group: 11	Elements: 1

User Option (Usage): Must use

Function: To specify a pertinent quantity.

Element Summary:

<u>Ref</u>	<u>Tag</u>	<u>Element Name</u>	<u>Status</u>	<u>Type</u>	<u>Min/Max</u>	<u>Usage</u>
QTY010	C186	QUANTITY DETAILS	M	Comp		Must use

Description: Quantity information in a transaction, qualified when relevant.

QTY010-010	6063	Quantity type code qualifier	M	an	1/3	Must use
------------	------	------------------------------	---	----	-----	----------

Description: Code qualifying the type of quantity.

CodeList Summary (Total Codes: 412, Included: 5)

Code Name

2 Charge

Description: *Quantity relevant for charge.*

17 Quantity on hand

Description: *The total quantity of a product on hand at a location. This includes as well units awaiting return to manufacturer, units unavailable due to inspection procedures and undamaged stock available for despatch, resale or use.*

48 Received quantity

Description: *The quantity which has been received.*

213 Transferred out quantity

Description: *Quantity which was transferred out of this location.*

214 Transferred in quantity

Description: *Quantity which was transferred into this location.*

QTY010-020	6060	Quantity	M	an	1/35	Must use
------------	------	----------	---	----	------	----------

Description: Alphanumeric representation of a quantity.

QTY010-030	6411	Measurement unit code	C	an	1/3	Used
------------	------	-----------------------	---	----	-----	------

Description: Code specifying the unit of measurement.

DTM DATE/TIME/PERIOD

Pos: 0470	Max: 5
Conditional	
Group: 11	Elements: 1

User Option (Usage): Used

Function: To specify date, and/or time, or period.

Element Summary:

<u>Ref</u>	<u>Tag</u>	<u>Element Name</u>	<u>Status</u>	<u>Type</u>	<u>Min/Max</u>	<u>Usage</u>
DTM010	C507	DATE/TIME/PERIOD	M	Comp		Must use
		Description: Date and/or time, or period relevant to the specified date/time/period type.				
DTM010-010	2005	Date/time/period function code qualifier	M	an	1/3	Must use
		Description: Code giving specific meaning to a date, time or period.				
		CodeList Summary (Total Codes: 697, Included: 1)				
		Code Name				
		145	Event date			
		Description: <i>A date specifying an event.</i>				
DTM010-020	2380	Date/time/period value	C	an	1/35	Used
		Description: The value of a date, a date and time, a time or of a period in a specified representation.				
DTM010-030	2379	Date/time/period format code	C	an	1/3	Used
		Description: Code specifying the representation of a date, time or period.				
		CodeList Summary (Total Codes: 74, Included: 1)				
		Code Name				
		102	CCYYMMDD			
		Description: <i>Calendar date: C = Century ; Y = Year ; M = Month ; D = Day.</i>				

RFF REFERENCE

Pos: 0570	Max: 1
Mandatory	
Group: 14	Elements: 1

User Option (Usage): Must use
Function: To specify a reference.

Element Summary:

<u>Ref</u>	<u>Tag</u>	<u>Element Name</u>	<u>Status</u>	<u>Type</u>	<u>Min/Max</u>	<u>Usage</u>
RFF010	C506	REFERENCE	M	Comp		Must use
		Description: Identification of a reference.				
RFF010-010	1153	Reference function code qualifier	M	an	1/3	Must use
		Description: Code giving specific meaning to a reference segment or a reference number.				

CodeList Summary (Total Codes: 707, Included: 2)

Code Name

- TN Transaction reference number
Description: *Reference applied to a transaction between two or more parties over a defined life cycle; e.g. number applied by importer or broker to obtain release from Customs, may then used to control declaration through final accounting (synonyms: declaration, entrynumber).*
- AAK Despatch advice number
Description: *Reference number assigned by issuing party to a despatch advice.*

RFF010-020	1154	Reference identifier	C	an	1/35	Used
		Description: Identifies a reference.				

DTM DATE/TIME/PERIOD

Pos: 0580	Max: 1
Conditional	
Group: 14	Elements: 1

User Option (Usage): Used

Function: To specify date, and/or time, or period.

Element Summary:

<u>Ref</u>	<u>Tag</u>	<u>Element Name</u>	<u>Status</u>	<u>Type</u>	<u>Min/Max</u>	<u>Usage</u>
DTM010	C507	DATE/TIME/PERIOD	M	Comp		Must use
		Description: Date and/or time, or period relevant to the specified date/time/period type.				
DTM010-010	2005	Date/time/period function code qualifier	M	an	1/3	Must use
		Description: Code giving specific meaning to a date, time or period.				
		CodeList Summary (Total Codes: 697, Included: 1)				
		<u>Code</u>	<u>Name</u>			
		171	Reference date/time			
		Description: <i>Date/time on which the reference was issued.</i>				
DTM010-020	2380	Date/time/period value	C	an	1/35	Used
		Description: The value of a date, a date and time, a time or of a period in a specified representation.				
DTM010-030	2379	Date/time/period format code	C	an	1/3	Used
		Description: Code specifying the representation of a date, time or period.				
		CodeList Summary (Total Codes: 74, Included: 1)				
		<u>Code</u>	<u>Name</u>			
		102	CCYYMMDD			
		Description: <i>Calendar date: C = Century ; Y = Year ; M = Month ; D = Day.</i>				

UNT MESSAGE TRAILER

Pos: 0730	Max: 1
Mandatory	
Group: N/A	Elements: 2

User Option (Usage): Must use

Function: To end and check the completeness of a message.

Element Summary:

<u>Ref</u>	<u>Tag</u>	<u>Element Name</u>	<u>Status</u>	<u>Type</u>	<u>Min/Max</u>	<u>Usage</u>
UNT010	0074	Number of segments in a message	M	n	1/10	Must use
		Description: The number of segments in a message body, plus the message header segment and message trailer segment.				
UNT020	0062	Message reference number	M	an	1/14	Must use
		Description: Unique message reference assigned by the sender.				

Notes:

- 0062, the value shall be identical to the value in 0062 in the corresponding UNH segment.

BorgWarner Note:

Sample Data:

```

UNA:+.? '
UNB+UNOC:3+BorgWarnerID+VendorID+151215:1253+57'
UNH+1+INVRPT:D:99B:UN'
BGM+35+00000000000917248'
DTM+137:20151215:102'
NAD+BY+31013::92++BW TS AR+ARNSTADT:AUGUST-BROEMEL-STRASE 4+ARNSTADT++99310+DE'
LOC+18+W6300::92'
RFF+VA:DE291636029'
NAD+SU+100001::92++VENDOR NAME+VENDOR STREET+VENDOR CITY++91074+DE'
NAD+CN+6300::92++BORGWARNER TS ARNSTADT
GMBH+AUGUST-BROEMEL-STRASE+ARNSTADT++99310+DE'
LIN+1++917248:BP'
IMD+F+1'
INV+++1'
QTY+48:10:PCE'
DTM+145:20151215:102'
RFF+TN:5500013062-01'
DTM+171:20151215:102'
INV+++1'
QTY+17:10:PCE'
DTM+145:20151215:102'
INV+++7'
QTY+213:10:PCE'
DTM+145:20151215:102'
RFF+TN:5500013062-01'
DTM+171:20151215:102'
INV+++1'
QTY+17:0:PCE'
DTM+145:20151215:102'
INV+++1'
QTY+48:10:PCE'
    
```

DTM+145:20151215:102'
RFF+TN:5500013062-02'
DTM+171:20151215:102'
INV+++1'
QTY+17:10:PCE'
DTM+145:20151215:102'
INV+++1'
QTY+48:10:PCE'
DTM+145:20151215:102'
RFF+TN:5500013062-03'
DTM+171:20151215:102'
INV+++1'
QTY+17:20:PCE'
DTM+145:20151215:102'
INV+++11'
QTY+2:10:PCE'
DTM+145:20151215:102'
RFF+AAK:96019197'
DTM+171:20151215:102'
INV+++1'
QTY+17:10:PCE'
DTM+145:20151215:102'
INV+++7'
QTY+214:5:PCE'
DTM+145:20151215:102'
RFF+AAK:96019199'
DTM+171:20151215:102'
INV+++1'
QTY+17:15:PCE'
DTM+145:20151215:102'
INV+++11'
QTY+2:5:PCE'
DTM+145:20151215:102'
RFF+AAK:96019200'
DTM+171:20151215:102'
INV+++1'
QTY+17:10:PCE'
DTM+145:20151215:102'
INV+++1'
QTY+17:10:PCE'
DTM+145:20151215:102'
UNT+70+1'
UNZ+1+57'