



# 856 Ship Notice/Manifest

X12/V4010/856 : 856 Ship Notice/Manifest

**Version: 1.0 Draft**

<b>Author:</b>	<b>Pauline Flanigan</b>
<b>Publication:</b>	<b>4/1/2019</b>
<b>Created:</b>	<b>5/31/2018</b>
<b>Modified:</b>	<b>4/1/2019</b>

# Table of Contents

<b>856 Ship Notice/Manifest</b> .....	<b>1</b>
<b>Branching Diagram - 1</b> .....	<b>3</b>
<b>Branching Diagram - 2</b> .....	<b>4</b>
<b>Branching Diagram - 3</b> .....	<b>5</b>
<b>ISA Interchange Control Header</b> .....	<b>6</b>
<b>GS Functional Group Header</b> .....	<b>9</b>
<b>ST Transaction Set Header</b> .....	<b>11</b>
<b>BSN Beginning Segment for Ship Notice</b> .....	<b>12</b>
<b>DTM Date/Time Reference</b> .....	<b>13</b>
<b>HL Hierarchical Level</b> .....	<b>14</b>
<b>REF Reference Identification</b> .....	<b>15</b>
<b>N1 Name</b> .....	<b>16</b>
<b>HL Hierarchical Level</b> .....	<b>17</b>
<b>LIN Item Identification</b> .....	<b>18</b>
<b>SN1 Item Detail (Shipment)</b> .....	<b>19</b>
<b>PRF Purchase Order Reference</b> .....	<b>20</b>
<b>REF Reference Identification</b> .....	<b>21</b>
<b>CTT Transaction Totals</b> .....	<b>22</b>
<b>SE Transaction Set Trailer</b> .....	<b>23</b>
<b>GE Functional Group Trailer</b> .....	<b>24</b>
<b>IEA Interchange Control Trailer</b> .....	<b>25</b>

# 856 Ship Notice/Manifest

## Functional Group=SH

**Purpose:** This Draft Standard for Trial Use contains the format and establishes the data contents of the Ship Notice/Manifest Transaction Set (856) for use within the context of an Electronic Data Interchange (EDI) environment. The transaction set can be used to list the contents of a shipment of goods as well as additional information relating to the shipment, such as order information, product description, physical characteristics, type of packaging, marking, carrier information, and configuration of goods within the transportation equipment. The transaction set enables the sender to describe the contents and configuration of a shipment in various levels of detail and provides an ordered flexibility to convey information. The sender of this transaction is the organization responsible for detailing and communicating the contents of a shipment, or shipments, to one or more receivers of the transaction set. The receiver of this transaction set can be any organization having an interest in the contents of a shipment or information about the contents of a shipment.

### Heading:

<u>Pos</u>	<u>Id</u>	<u>Segment Name</u>	<u>Req</u>	<u>Max Use</u>	<u>Repeat</u>	<u>Notes</u>	<u>Usage</u>
	ISA	Interchange Control Header	M	1			Must use
	GS	Functional Group Header	M	1			Must use
010	ST	Transaction Set Header	M	1			Must use
020	BSN	Beginning Segment for Ship Notice	M	1			Must use
040	DTM	Date/Time Reference	M	10			Must use

### Detail:

<u>Pos</u>	<u>Id</u>	<u>Segment Name</u>	<u>Req</u>	<u>Max Use</u>	<u>Repeat</u>	<u>Notes</u>	<u>Usage</u>
<b><u>LOOP ID - HL</u></b>					<b><u>1</u></b>	<b><u>CN2/010L</u></b>	
010	HL	Hierarchical Level	M	1		C2/010	Must use
150	REF	Reference Identification	O	>1		N2/150	Used
<b><u>LOOP ID - N1</u></b>					<b><u>200</u></b>		
220	N1	Name	M	1			Must use
<b><u>LOOP ID - HL</u></b>					<b><u>200000</u></b>	<b><u>CN2/010L</u></b>	
010	HL	Hierarchical Level	M	1		C2/010	Must use
020	LIN	Item Identification	M	1			Must use
030	SN1	Item Detail (Shipment)	M	1			Must use
050	PRF	Purchase Order Reference	M	1			Must use
150	REF	Reference Identification	O	>1		N2/150	Used

### Summary:

<u>Pos</u>	<u>Id</u>	<u>Segment Name</u>	<u>Req</u>	<u>Max Use</u>	<u>Repeat</u>	<u>Notes</u>	<u>Usage</u>
010	CTT	Transaction Totals	M	1		N3/010	Used
020	SE	Transaction Set Trailer	M	1			Must use
	GE	Functional Group Trailer	M	1			Must use
	IEA	Interchange Control Trailer	M	1			Must use

### Notes:

- 2/010L Shipment Level
- 2/150 Vendor Batch/Lot/Serial Number/Coil Number
- 2/010L Item Level

- 2/150 Vendor Batch/Lot/Serial Number/Coil Number
- 3/010 Number of line items (CTT01) is the accumulation of the number of HL segments. If used, hash total (CTT02) is the sum of the value of units shipped (SN102) for each SN1 segment.

**Comments:**

- 2/010L The HL segment is the only mandatory segment within the HL loop, and by itself, the HL segment has no meaning.
- 2/010 The HL segment is the only mandatory segment within the HL loop, and by itself, the HL segment has no meaning.
- 2/010L The HL segment is the only mandatory segment within the HL loop, and by itself, the HL segment has no meaning.
- 2/010 The HL segment is the only mandatory segment within the HL loop, and by itself, the HL segment has no meaning.

**BorgWarner Note:*****About this 856:***

***The Vendor can populate valid fields other than what BorgWarner will be using as long as the structure within this document is adhered to for the requested information. However, only the fields listed in this document will be used internally.***

***Change Log:***

***2019-04-01 Pauline Flanigan Version 2 Ready for Publication***

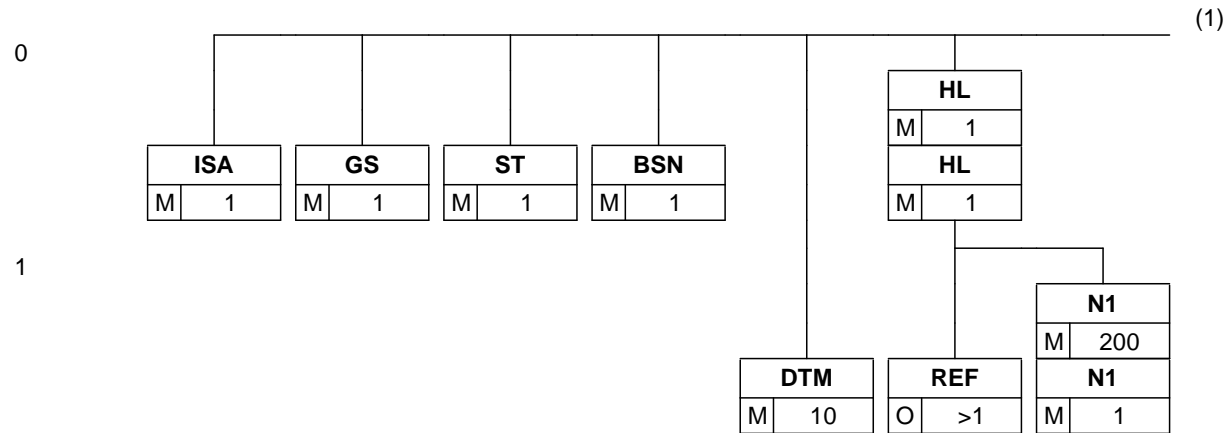
***Segments for Steel Vendors to capture Vendor Batch and Heat Number. Max 1 each.***

***1. REF\*LT for Vendor Batch (Max 10 characters for vendor batch)***

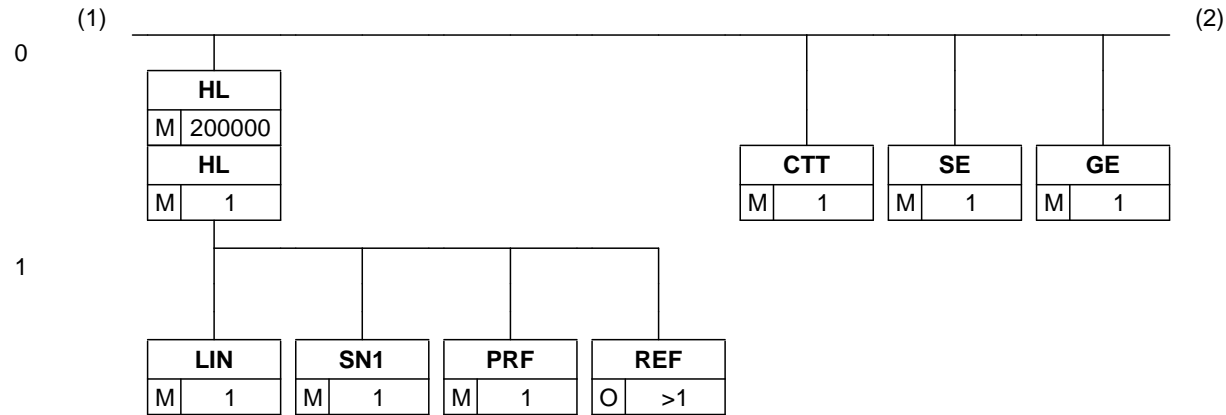
***2 REF\*HC for Heat Number***

***2018-05-31 Pauline Flanigan Initial Version***

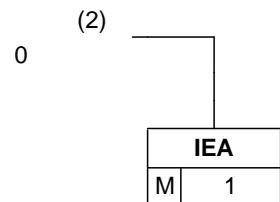
**Branching Diagram:** 856(Ship Notice/Manifest)



**Branching Diagram:** 856(Ship Notice/Manifest)



**Branching Diagram:** 856(Ship Notice/Manifest)



# ISA Interchange Control Header

Pos: Max: 1  
 Heading - Mandatory  
 Loop: N/A Elements: 16

**User Option (Usage):** Must use

**Purpose:** To start and identify an interchange of zero or more functional groups and interchange-related control segments

## Element Summary:

<u>Ref</u>	<u>Id</u>	<u>Element Name</u>	<u>Req</u>	<u>Type</u>	<u>Min/Max</u>	<u>Usage</u>
ISA01	I01	<b>Authorization Information Qualifier</b>	M	ID	2/2	Must use

**Description:** Code to identify the type of information in the Authorization Information

**Code List Summary** (Total Codes: 7, Included: 1)

**Code Name**

00 No Authorization Information Present (No Meaningful Information in I02)

ISA02	I02	<b>Authorization Information</b>	O	AN	10/10	Used
-------	-----	----------------------------------	---	----	-------	------

**Description:** Information used for additional identification or authorization of the interchange sender or the data in the interchange; the type of information is set by the Authorization Information Qualifier (I01)

ISA03	I03	<b>Security Information Qualifier</b>	M	ID	2/2	Must use
-------	-----	---------------------------------------	---	----	-----	----------

**Description:** Code to identify the type of information in the Security Information

**Code List Summary** (Total Codes: 2, Included: 1)

**Code Name**

00 No Security Information Present (No Meaningful Information in I04)

ISA04	I04	<b>Security Information</b>	O	AN	10/10	Used
-------	-----	-----------------------------	---	----	-------	------

**Description:** This is used for identifying the security information about the interchange sender or the data in the interchange; the type of information is set by the Security Information Qualifier (I03)

ISA05	I05	<b>Interchange ID Qualifier</b>	M	ID	2/2	Must use
-------	-----	---------------------------------	---	----	-----	----------

**Description:** Qualifier to designate the system/method of code structure used to designate the sender or receiver ID element being qualified

**Code List Summary** (Total Codes: 38, Included: 2)

**Code Name**

01 Duns (Dun & Bradstreet)  
 ZZ Mutually Defined



<u>Ref</u>	<u>Id</u>	<u>Element Name</u>	<u>Req</u>	<u>Type</u>	<u>Min/Max</u>	<u>Usage</u>
ISA06	I06	<b>Interchange Sender ID</b>	M	AN	15/15	Must use
		<b>Description:</b> Identification code published by the sender for other parties to use as the receiver ID to route data to them; the sender always codes this value in the sender ID element				
ISA07	I05	<b>Interchange ID Qualifier</b>	M	ID	2/2	Must use
		<b>Description:</b> Qualifier to designate the system/method of code structure used to designate the sender or receiver ID element being qualified				
		<b>Code List Summary</b> (Total Codes: 38, Included: 2)				
		<b>Code Name</b>				
		01 Duns (Dun & Bradstreet)				
		ZZ Mutually Defined				
ISA08	I07	<b>Interchange Receiver ID</b>	M	AN	15/15	Must use
		<b>Description:</b> Identification code published by the receiver of the data; When sending, it is used by the sender as their sending ID, thus other parties sending to them will use this as a receiving ID to route data to them				
ISA09	I08	<b>Interchange Date</b>	M	DT	6/6	Must use
		<b>Description:</b> Date of the interchange				
ISA10	I09	<b>Interchange Time</b>	M	TM	4/4	Must use
		<b>Description:</b> Time of the interchange				
ISA11	I10	<b>Interchange Control Standards Identifier</b>	M	ID	1/1	Must use
		<b>Description:</b> Code to identify the agency responsible for the control standard used by the message that is enclosed by the interchange header and trailer				
		<b>Code List Summary</b> (Total Codes: 1, Included: 1)				
		<b>Code Name</b>				
		U U.S. EDI Community of ASC X12, TDCC, and UCS				
ISA12	I11	<b>Interchange Control Version Number</b>	M	ID	5/5	Must use
		<b>Description:</b> Code specifying the version number of the interchange control segments				
		<b>Code List Summary</b> (Total Codes: 14, Included: 1)				
		<b>Code Name</b>				
		00401 Draft Standards for Trial Use Approved for Publication by ASC X12 Procedures Review Board through October 1997				

<u>Ref</u>	<u>Id</u>	<u>Element Name</u>	<u>Req</u>	<u>Type</u>	<u>Min/Max</u>	<u>Usage</u>
ISA13	I12	<b>Interchange Control Number</b>	M	N0	9/9	Must use
		<b>Description:</b> A control number assigned by the interchange sender				
ISA14	I13	<b>Acknowledgment Requested</b>	M	ID	1/1	Must use
		<b>Description:</b> Code sent by the sender to request an interchange acknowledgment (TA1)				
		<b>Code List Summary</b> (Total Codes: 2, Included: 1)				
		<b>Code Name</b>				
		0 No Acknowledgment Requested				
ISA15	I14	<b>Usage Indicator</b>	M	ID	1/1	Must use
		<b>Description:</b> Code to indicate whether data enclosed by this interchange envelope is test, production or information				
		<b>Code List Summary</b> (Total Codes: 3, Included: 2)				
		<b>Code Name</b>				
		P Production Data				
		T Test Data				
ISA16	I15	<b>Component Element Separator</b>	M		1/1	Must use
		<b>Description:</b> Type is not applicable; the component element separator is a delimiter and not a data element; this field provides the delimiter used to separate component data elements within a composite data structure; this value must be different than the data element separator and the segment terminator				

# GS Functional Group Header

<b>Pos:</b>	<b>Max: 1</b>
<b>Heading - Mandatory</b>	
<b>Loop: N/A</b>	<b>Elements: 8</b>

**User Option (Usage):** Must use

**Purpose:** To indicate the beginning of a functional group and to provide control information

## Element Summary:

<u>Ref</u>	<u>Id</u>	<u>Element Name</u>	<u>Req</u>	<u>Type</u>	<u>Min/Max</u>	<u>Usage</u>
GS01	479	<b>Functional Identifier Code</b>	M	ID	2/2	Must use
		<b>Description:</b> Code identifying a group of application related transaction sets				
		<b>Code List Summary</b> (Total Codes: 240, Included: 1)				
		<b>Code Name</b>				
		SH Ship Notice/Manifest (856)				
GS02	142	<b>Application Sender's Code</b>	M	AN	2/15	Must use
		<b>Description:</b> Code identifying party sending transmission; codes agreed to by trading partners				
GS03	124	<b>Application Receiver's Code</b>	M	AN	2/15	Must use
		<b>Description:</b> Code identifying party receiving transmission; codes agreed to by trading partners				
GS04	373	<b>Date</b>	M	DT	8/8	Must use
		<b>Description:</b> Date expressed as CCYYMMDD				
GS05	337	<b>Time</b>	M	TM	4/8	Must use
		<b>Description:</b> Time expressed in 24-hour clock time as follows: HHMM, or HHMMSS, or HHMMSSD, or HHMMSSDD, where H = hours (00-23), M = minutes (00-59), S = integer seconds (00-59) and DD = decimal seconds; decimal seconds are expressed as follows: D = tenths (0-9) and DD = hundredths (00-99)				
GS06	28	<b>Group Control Number</b>	M	N0	1/9	Must use
		<b>Description:</b> Assigned number originated and maintained by the sender				
GS07	455	<b>Responsible Agency Code</b>	M	ID	1/2	Must use
		<b>Description:</b> Code identifying the issuer of the standard; this code is used in conjunction with Data Element 480				
		<b>Code List Summary</b> (Total Codes: 2, Included: 1)				

		<u>Code</u>	<u>Name</u>				
		X	Accredited Standards Committee X12				
GS08	480	<b>Version / Release / Industry Identifier Code</b>	M	AN	1/12	Must use	

**Description:** Code indicating the version, release, subrelease, and industry identifier of the EDI standard being used, including the GS and GE segments; if code in DE455 in GS segment is X, then in DE 480 positions 1-3 are the version number; positions 4-6 are the release and subrelease, level of the version; and positions 7-12 are the industry or trade association identifiers (optionally assigned by user); if code in DE455 in GS segment is T, then other formats are allowed

**Code List Summary** (Total Codes: 39, Included: 1)

<u>Code</u>	<u>Name</u>
004010	Draft Standards Approved for Publication by ASC X12 Procedures Review Board through October 1997

### Semantics:

1. GS04 is the group date.
2. GS05 is the group time.
3. The data interchange control number GS06 in this header must be identical to the same data element in the associated functional group trailer, GE02.

### Comments:

1. A functional group of related transaction sets, within the scope of X12 standards, consists of a collection of similar transaction sets enclosed by a functional group header and a functional group trailer.

# ST Transaction Set Header

Pos: 010	Max: 1
Heading - Mandatory	
Loop: N/A	Elements: 2

**User Option (Usage):** Must use

**Purpose:** To indicate the start of a transaction set and to assign a control number

## Element Summary:

<u>Ref</u>	<u>Id</u>	<u>Element Name</u>	<u>Req</u>	<u>Type</u>	<u>Min/Max</u>	<u>Usage</u>
ST01	143	<b>Transaction Set Identifier Code</b>	M	ID	3/3	Must use
		<b>Description:</b> Code uniquely identifying a Transaction Set				
		<b>Code List Summary</b> (Total Codes: 298, Included: 1)				
		<b>Code Name</b>				
		856 Ship Notice/Manifest				
ST02	329	<b>Transaction Set Control Number</b>	M	AN	4/9	Must use
		<b>Description:</b> Identifying control number that must be unique within the transaction set functional group assigned by the originator for a transaction set				

## Semantics:

1. The transaction set identifier (ST01) used by the translation routines of the interchange partners to select the appropriate transaction set definition (e.g., 810 selects the Invoice Transaction Set).

# BSN Beginning Segment for Ship Notice

Pos: 020	Max: 1
Heading - Mandatory	
Loop: N/A	Elements: 4

**User Option (Usage):** Must use

**Purpose:** To transmit identifying numbers, dates, and other basic data relating to the transaction set

## Element Summary:

<u>Ref</u>	<u>Id</u>	<u>Element Name</u>	<u>Req</u>	<u>Type</u>	<u>Min/Max</u>	<u>Usage</u>				
BSN01	353	<b>Transaction Set Purpose Code</b>	M	ID	2/2	Must use				
<p><b>Description:</b> Code identifying purpose of transaction set</p> <p><b>BorgWarner Note:</b> <i>00 For Original only.</i></p> <p><b>Code List Summary</b> (Total Codes: 65, Included: 1)</p> <table border="1"> <thead> <tr> <th><u>Code</u></th> <th><u>Name</u></th> </tr> </thead> <tbody> <tr> <td>00</td> <td>Original</td> </tr> </tbody> </table>							<u>Code</u>	<u>Name</u>	00	Original
<u>Code</u>	<u>Name</u>									
00	Original									
BSN02	396	<b>Shipment Identification</b>	M	AN	2/30	Must use				
<p><b>Description:</b> A unique control number assigned by the original shipper to identify a specific shipment</p> <p><b>BorgWarner Note:</b> <i>Unique supplier-assigned number that is not repeated within a one year period.</i></p>										
BSN03	373	<b>Date</b>	M	DT	8/8	Must use				
<p><b>Description:</b> Date expressed as CCYYMMDD</p>										
BSN04	337	<b>Time</b>	M	TM	4/8	Must use				
<p><b>Description:</b> Time expressed in 24-hour clock time as follows: HHMM, or HHMMSS, or HHMMSSD, or HHMMSSDD, where H = hours (00-23), M = minutes (00-59), S = integer seconds (00-59) and DD = decimal seconds; decimal seconds are expressed as follows: D = tenths (0-9) and DD = hundredths (00-99)</p>										

## Semantics:

1. BSN03 is the date the shipment transaction set is created.
2. BSN04 is the time the shipment transaction set is created.
3. BSN06 is limited to shipment related codes.

## Comments:

1. BSN06 and BSN07 differentiate the functionality of use for the transaction set.

# DTM Date/Time Reference

Pos: 040	Max: 10
Heading - Mandatory	
Loop: N/A	Elements: 3

**User Option (Usage):** Must use

**Purpose:** To specify pertinent dates and times

## Element Summary:

<u>Ref</u>	<u>Id</u>	<u>Element Name</u>	<u>Req</u>	<u>Type</u>	<u>Min/Max</u>	<u>Usage</u>						
DTM01	374	<b>Date/Time Qualifier</b>	M	ID	3/3	Must use						
<p><b>Description:</b> Code specifying type of date or time, or both date and time</p> <p><b>BorgWarner Note:</b> <i>Both Shipped (011) and Estimated (017) are Mandatory</i></p> <p><b>Code List Summary</b> (Total Codes: 1112, Included: 2)</p> <table border="1"> <thead> <tr> <th><u>Code</u></th> <th><u>Name</u></th> </tr> </thead> <tbody> <tr> <td>011</td> <td>Shipped</td> </tr> <tr> <td>017</td> <td>Estimated Delivery</td> </tr> </tbody> </table>							<u>Code</u>	<u>Name</u>	011	Shipped	017	Estimated Delivery
<u>Code</u>	<u>Name</u>											
011	Shipped											
017	Estimated Delivery											
DTM02	373	<b>Date</b>	X	DT	8/8	Used						
<p><b>Description:</b> Date expressed as CCYYMMDD</p>												
DTM03	337	<b>Time</b>	X	TM	4/8	Used						
<p><b>Description:</b> HHMM</p> <p><b>BorgWarner Note:</b> <i>HHMM or HHMMSS Only</i></p>												

# HL Hierarchical Level

<b>Pos: 010</b>	<b>Max: 1</b>
<b>Detail - Mandatory</b>	
<b>Loop: HL</b>	<b>Elements: 2</b>

**User Option (Usage):** Must use

**Purpose:** To identify dependencies among and the content of hierarchically related groups of data segments

## Element Summary:

<u>Ref</u>	<u>Id</u>	<u>Element Name</u>	<u>Req</u>	<u>Type</u>	<u>Min/Max</u>	<u>Usage</u>
HL01	628	<b>Hierarchical ID Number</b>	M	AN	1/12	Must use

**Description:** A unique number assigned by the sender to identify a particular data segment in a hierarchical structure

**BorgWarner Note:** Use "1" for this occurrence of the HL at the Shipment Level.

HL03	735	<b>Hierarchical Level Code</b>	M	ID	1/2	Must use
------	-----	--------------------------------	---	----	-----	----------

**Description:** Code defining the characteristic of a level in a hierarchical structure

**Code List Summary** (Total Codes: 170, Included: 1)

<u>Code</u>	<u>Name</u>
S	Shipment

## Comments:

1. The HL segment is used to identify levels of detail information using a hierarchical structure, such as relating line-item data to shipment data, and packaging data to line-item data.
2. The HL segment defines a top-down/left-right ordered structure.
3. HL01 shall contain a unique alphanumeric number for each occurrence of the HL segment in the transaction set. For example, HL01 could be used to indicate the number of occurrences of the HL segment, in which case the value of HL01 would be "1" for the initial HL segment and would be incremented by one in each subsequent HL segment within the transaction.
4. HL02 identifies the hierarchical ID number of the HL segment to which the current HL segment is subordinate.
5. HL03 indicates the context of the series of segments following the current HL segment up to the next occurrence of an HL segment in the transaction. For example, HL03 is used to indicate that subsequent segments in the HL loop form a logical grouping of data referring to shipment, order, or item-level information.
6. HL04 indicates whether or not there are subordinate (or child) HL segments related to the current HL segment.



# REF Reference Identification

Pos: 150	Max: >1
Detail - Optional	
Loop: HL	Elements: 2

**User Option (Usage):** Used

**Purpose:** To specify identifying information

## Element Summary:

<u>Ref</u>	<u>Id</u>	<u>Element Name</u>	<u>Req</u>	<u>Type</u>	<u>Min/Max</u>	<u>Usage</u>
REF01	128	<b>Reference Identification Qualifier</b>	M	ID	2/3	Must use
<p><b>Description:</b> Code qualifying the Reference Identification</p> <p><b>Code List Summary</b> (Total Codes: 1503, Included: 1)</p> <p><b>Code Name</b></p> <p>BM Bill of Lading Number</p>						
REF02	127	<b>Reference Identification</b>	X	AN	1/30	Used
<p><b>Description:</b> Reference information as defined for a particular Transaction Set or as specified by the Reference Identification Qualifier</p>						

## Semantics:

- REF04 contains data relating to the value cited in REF02.

## BorgWarner Note:

*REF\*BM = Bill of Lading*

# N1 Name

Pos: 220	Max: 1
Detail - Mandatory	
Loop: N1	Elements: 4

**User Option (Usage):** Must use

**Purpose:** To identify a party by type of organization, name, and code

## Element Summary:

<u>Ref</u>	<u>Id</u>	<u>Element Name</u>	<u>Req</u>	<u>Type</u>	<u>Min/Max</u>	<u>Usage</u>
N101	98	<b>Entity Identifier Code</b>	M	ID	2/3	Must use
		<b>Description:</b> Code identifying an organizational entity, a physical location, property or an individual				
		<b>Code List Summary</b> (Total Codes: 1312, Included: 2)				
		<b>Code Name</b>				
		ST		Ship To		
		SU		Supplier/Manufacturer		
N102	93	<b>Name</b>	X	AN	1/60	Used
		<b>Description:</b> Free-form name				
N103	66	<b>Identification Code Qualifier</b>	M	ID	1/2	Must use
		<b>Description:</b> Code designating the system/method of code structure used for Identification Code (67)				
		<b>Code List Summary</b> (Total Codes: 215, Included: 2)				
		<b>Code Name</b>				
		92		Assigned by Buyer or Buyer's Agent		
		ZZ		Mutually Defined		
N104	67	<b>Identification Code</b>	M	AN	2/80	Must use
		<b>Description:</b> Code identifying a party or other code				

## Syntax Rules:

1. R0203 - At least one of N102 or N103 is required.
2. P0304 - If either N103 or N104 is present, then the other is required.

## Comments:

1. This segment, used alone, provides the most efficient method of providing organizational identification. To obtain this efficiency the "ID Code" (N104) must provide a key to the table maintained by the transaction processing party.
2. N105 and N106 further define the type of entity in N101.

# HL Hierarchical Level

Pos: 010	Max: 1
Detail - Mandatory	
Loop: HL	Elements: 4

**User Option (Usage):** Must use

**Purpose:** To identify dependencies among and the content of hierarchically related groups of data segments

## Element Summary:

<u>Ref</u>	<u>Id</u>	<u>Element Name</u>	<u>Req</u>	<u>Type</u>	<u>Min/Max</u>	<u>Usage</u>
HL01	628	<b>Hierarchical ID Number</b>	M	AN	1/12	Must use
		<b>Description:</b> A unique number assigned by the sender to identify a particular data segment in a hierarchical structure				
HL02	734	<b>Hierarchical Parent ID Number</b>	O	AN	1/12	Used
		<b>Description:</b> Identification number of the next higher hierarchical data segment that the data segment being described is subordinate to				
HL03	735	<b>Hierarchical Level Code</b>	M	ID	1/2	Must use
		<b>Description:</b> Code defining the characteristic of a level in a hierarchical structure				
		<b>Code List Summary</b> (Total Codes: 170, Included: 1)				
		<b>Code Name</b>				
		I		Item		
HL04	736	<b>Hierarchical Child Code</b>	O	ID	1/1	Used
		<b>Description:</b> Code indicating if there are hierarchical child data segments subordinate to the level being described				
		<b>Code List Summary</b> (Total Codes: 2, Included: 2)				
		<b>Code Name</b>				
		0		No Subordinate HL Segment in This Hierarchical Structure.		
		1		Additional Subordinate HL Data Segment in This Hierarchical Structure.		

## Comments:

1. The HL segment is used to identify levels of detail information using a hierarchical structure, such as relating line-item data to shipment data, and packaging data to line-item data.
2. The HL segment defines a top-down/left-right ordered structure.
3. HL01 shall contain a unique alphanumeric number for each occurrence of the HL segment in the transaction set. For example, HL01 could be used to indicate the number of occurrences of the HL segment, in which case the value of HL01 would be "1" for the initial HL segment and would be incremented by one in each subsequent HL segment within the transaction.
4. HL02 identifies the hierarchical ID number of the HL segment to which the current HL segment is subordinate.
5. HL03 indicates the context of the series of segments following the current HL segment up to the next occurrence of an HL segment in the transaction. For example, HL03 is used to indicate that subsequent segments in the HL loop form a logical grouping of data referring to shipment, order, or item-level information.
6. HL04 indicates whether or not there are subordinate (or child) HL segments related to the current HL segment.

# LIN Item Identification

<b>Pos: 020</b>	<b>Max: 1</b>
<b>Detail - Mandatory</b>	
<b>Loop: HL</b>	<b>Elements: 4</b>

**User Option (Usage):** Must use

**Purpose:** To specify basic item identification data

## Element Summary:

<u>Ref</u>	<u>Id</u>	<u>Element Name</u>	<u>Req</u>	<u>Type</u>	<u>Min/Max</u>	<u>Usage</u>
LIN02	235	<b>Product/Service ID Qualifier</b>	M	ID	2/2	Must use
<p><b>Description:</b> Code identifying the type/source of the descriptive number used in Product/Service ID (234)</p> <p><b>Code List Summary</b> (Total Codes: 477, Included: 1)</p> <p><u>Code</u> <u>Name</u> BP Buyer's Part Number</p>						
LIN03	234	<b>Product/Service ID</b>	M	AN	1/48	Must use
<p><b>Description:</b> Identifying number for a product or service</p>						
LIN04	235	<b>Product/Service ID Qualifier</b>	X	ID	2/2	Used
<p><b>Description:</b> Code identifying the type/source of the descriptive number used in Product/Service ID (234)</p> <p><b>Code List Summary</b> (Total Codes: 477, Included: 1)</p> <p><u>Code</u> <u>Name</u> VP Vendor's (Seller's) Part Number</p>						
LIN05	234	<b>Product/Service ID</b>	X	AN	1/48	Used
<p><b>Description:</b> Identifying number for a product or service</p>						

## Syntax Rules:

1. P0203 - If either LIN02 or LIN03 is present, then the other is required.
2. P0405 - If either LIN04 or LIN05 is present, then the other is required.

## Semantics:

1. LIN01 is the line item identification

## Comments:

1. See the Data Dictionary for a complete list of IDs.
2. LIN02 through LIN31 provide for fifteen different product/service IDs for each item. For example: Case, Color, Drawing No., U.P.C. No., ISBN No., Model No., or SKU.

# SN1 Item Detail (Shipment)

Pos: 030	Max: 1
Detail - Mandatory	
Loop: HL	Elements: 2

**User Option (Usage):** Must use

**Purpose:** To specify line-item detail relative to shipment

## Element Summary:

<u>Ref</u>	<u>Id</u>	<u>Element Name</u>	<u>Req</u>	<u>Type</u>	<u>Min/Max</u>	<u>Usage</u>
SN102	382	<b>Number of Units Shipped</b>	M	R	1/10	Must use

**Description:** Numeric value of units shipped in manufacturer's shipping units for a line item or transaction set

SN103	355	<b>Unit or Basis for Measurement Code</b>	M	ID	2/2	Must use
-------	-----	---	---	----	-----	----------

**Description:** Code specifying the units in which a value is being expressed, or manner in which a measurement has been taken

**BorgWarner Note: *Must match the UOM Value received on the Release (830) from BorgWarner***

**Code List Summary** (Total Codes: 794, Included: 15)

### Code Name

BX	Box
CA	Case
CT	Carton
EA	Each
FT	Foot
GA	Gallon
GR	Gram
KG	Kilogram
LB	Pound
LT	Liter
MR	Meter
PK	Package
RL	Roll
SF	Square Foot
YD	Yard

## Semantics:

- SN101 is the ship notice line-item identification.

## Comments:

- SN103 defines the unit of measurement for both SN102 and SN104.

# PRF Purchase Order Reference

Pos: 050	Max: 1
Detail - Mandatory	
Loop: HL	Elements: 2

**User Option (Usage):** Must use

**Purpose:** To provide reference to a specific purchase order

## Element Summary:

<u>Ref</u>	<u>Id</u>	<u>Element Name</u>	<u>Req</u>	<u>Type</u>	<u>Min/Max</u>	<u>Usage</u>
PRF01	324	<b>Purchase Order Number</b>	M	AN	1/22	Must use
		<b>Description:</b> Identifying number for Purchase Order assigned by the orderer/purchaser				
PRF05	350	<b>Assigned Identification</b>	M	AN	1/20	Used
		<b>Description:</b> Alphanumeric characters assigned for differentiation within a transaction set				
		<b>BorgWarner Note:</b> <i>Must match the PO Line item number received on the Release (830) from BorgWarner</i>				

## Semantics:

1. PRF04 is the date assigned by the purchaser to purchase order.

# REF Reference Identification

Pos: 150	Max: >1
Detail - Optional	
Loop: HL	Elements: 2

**User Option (Usage):** Used

**Purpose:** To specify identifying information

## Element Summary:

<u>Ref</u>	<u>Id</u>	<u>Element Name</u>	<u>Req</u>	<u>Type</u>	<u>Min/Max</u>	<u>Usage</u>
REF01	128	Reference Identification Qualifier	M	ID	2/3	Must use
<p><b>Description:</b> Code qualifying the Reference Identification</p> <p><b>Code List Summary</b> (Total Codes: 1503, Included: 2)</p> <p><b>Code Name</b></p> <p>HC Heat Code</p> <p>LT Lot Number</p>						
REF02	127	Reference Identification	X	AN	1/30	Used
<p><b>Description:</b> Reference information as defined for a particular Transaction Set or as specified by the Reference Identification Qualifier</p>						

## Semantics:

- REF04 contains data relating to the value cited in REF02.

## BorgWarner Note:

*Optional, For Steel Vendors Only:*

**REF\*LT = Vendor Batch/Lot/Serial Number/Coil Number**

**Max field length 10 for Vendor Batch. Right most 10 will be used**

**Example "4269149.001" will present as "269149.001" in BorgWarner System.**

**if used, max use 1 and also must have one REF\*HC**

**REF\*HC = Heat Number**

**can receive the standard of 30 characters**

**if used, Max use 1 and must also have one REF\*LT**

# CTT Transaction Totals

Pos: 010	Max: 1
Summary - Mandatory	
Loop: N/A	Elements: 1

**User Option (Usage):** Used

**Purpose:** To transmit a hash total for a specific element in the transaction set

## Element Summary:

<u>Ref</u>	<u>Id</u>	<u>Element Name</u>	<u>Req</u>	<u>Type</u>	<u>Min/Max</u>	<u>Usage</u>
CTT01	354	Number of Line Items	M	N0	1/6	Must use

**Description:** Total number of line items in the transaction set

## Syntax Rules:

1. P0304 - If either CTT03 or CTT04 is present, then the other is required.
2. P0506 - If either CTT05 or CTT06 is present, then the other is required.

## Comments:

1. This segment is intended to provide hash totals to validate transaction completeness and correctness.



# SE Transaction Set Trailer

Pos: 020	Max: 1
Summary - Mandatory	
Loop: N/A	Elements: 2

**User Option (Usage):** Must use

**Purpose:** To indicate the end of the transaction set and provide the count of the transmitted segments (including the beginning (ST) and ending (SE) segments)

## Element Summary:

<u>Ref</u>	<u>Id</u>	<u>Element Name</u>	<u>Req</u>	<u>Type</u>	<u>Min/Max</u>	<u>Usage</u>
SE01	96	<b>Number of Included Segments</b>	M	N0	1/10	Must use
		<b>Description:</b> Total number of segments included in a transaction set including ST and SE segments				
SE02	329	<b>Transaction Set Control Number</b>	M	AN	4/9	Must use
		<b>Description:</b> Identifying control number that must be unique within the transaction set functional group assigned by the originator for a transaction set				

## Comments:

1. SE is the last segment of each transaction set.

# GE Functional Group Trailer

Pos:	Max: 1
Summary - Mandatory	
Loop: N/A	Elements: 2

**User Option (Usage):** Must use

**Purpose:** To indicate the end of a functional group and to provide control information

## Element Summary:

<u>Ref</u>	<u>Id</u>	<u>Element Name</u>	<u>Req</u>	<u>Type</u>	<u>Min/Max</u>	<u>Usage</u>
GE01	97	<b>Number of Transaction Sets Included</b>	M	N0	1/6	Must use
		<b>Description:</b> Total number of transaction sets included in the functional group or interchange (transmission) group terminated by the trailer containing this data element				
GE02	28	<b>Group Control Number</b>	M	N0	1/9	Must use
		<b>Description:</b> Assigned number originated and maintained by the sender				

## Semantics:

1. The data interchange control number GE02 in this trailer must be identical to the same data element in the associated functional group header, GS06.

## Comments:

1. The use of identical data interchange control numbers in the associated functional group header and trailer is designed to maximize functional group integrity. The control number is the same as that used in the corresponding header.

# IEA Interchange Control Trailer

Pos:	Max: 1
Summary - Mandatory	
Loop: N/A	Elements: 2

**User Option (Usage):** Must use

**Purpose:** To define the end of an interchange of zero or more functional groups and interchange-related control segments

## Element Summary:

<u>Ref</u>	<u>Id</u>	<u>Element Name</u>	<u>Req</u>	<u>Type</u>	<u>Min/Max</u>	<u>Usage</u>
IEA01	I16	Number of Included Functional Groups	M	N0	1/5	Must use
		<b>Description:</b> A count of the number of functional groups included in an interchange				
IEA02	I12	Interchange Control Number	M	N0	9/9	Must use
		<b>Description:</b> A control number assigned by the interchange sender				

## BorgWarner Note:

**Sample Data:**

```

ISA*00*      *00*      *ZZ*SENDER      *01*RECEIVER      *190318*1330*U*00401*000000007*0*P*:-~
GS*SH*SENDER*RECEIVER*20190318*1330*7*X*004010~
ST*856*70001~
BSN*00*09385220*20180206*131903~
DTM*011*20190508*131903~
DTM*017*20190523*170000~
HL*1**S~
REF*BM*821616~
N1*ST**92*5700~
N1*SU**92*107987~
HL*2*1*I~
LIN**BP*10300033A*VP*0075580-00-000~
SN1**10000*EA~
PRF*5500019433****00010~
REF*LT*LOTNUMBER~
REF*HC*HEATNUMBER~
CTT*2~
SE*16*70001~
GE*1*7~
IEA*1*000000007~
    
```